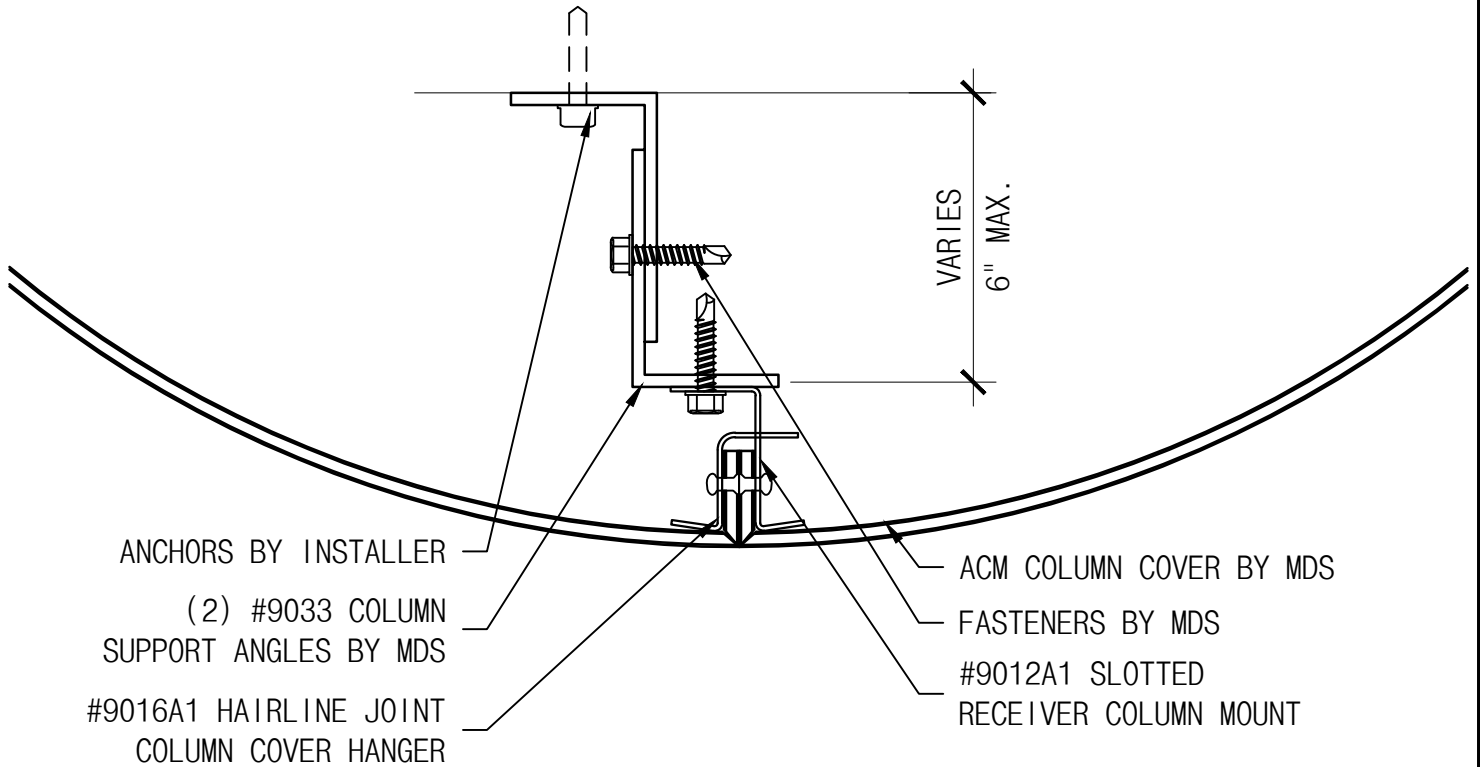


8/13/2014 3:43 PM, Joe Martin, T:\Company Shared Folders\CAD\WEB\COLUMN COVERS\CAD FILES



ANCHORS BY INSTALLER

(2) #9033 COLUMN
SUPPORT ANGLES BY MDS

#9016A1 HAIRLINE JOINT
COLUMN COVER HANGER

ACM COLUMN COVER BY MDS

FASTENERS BY MDS

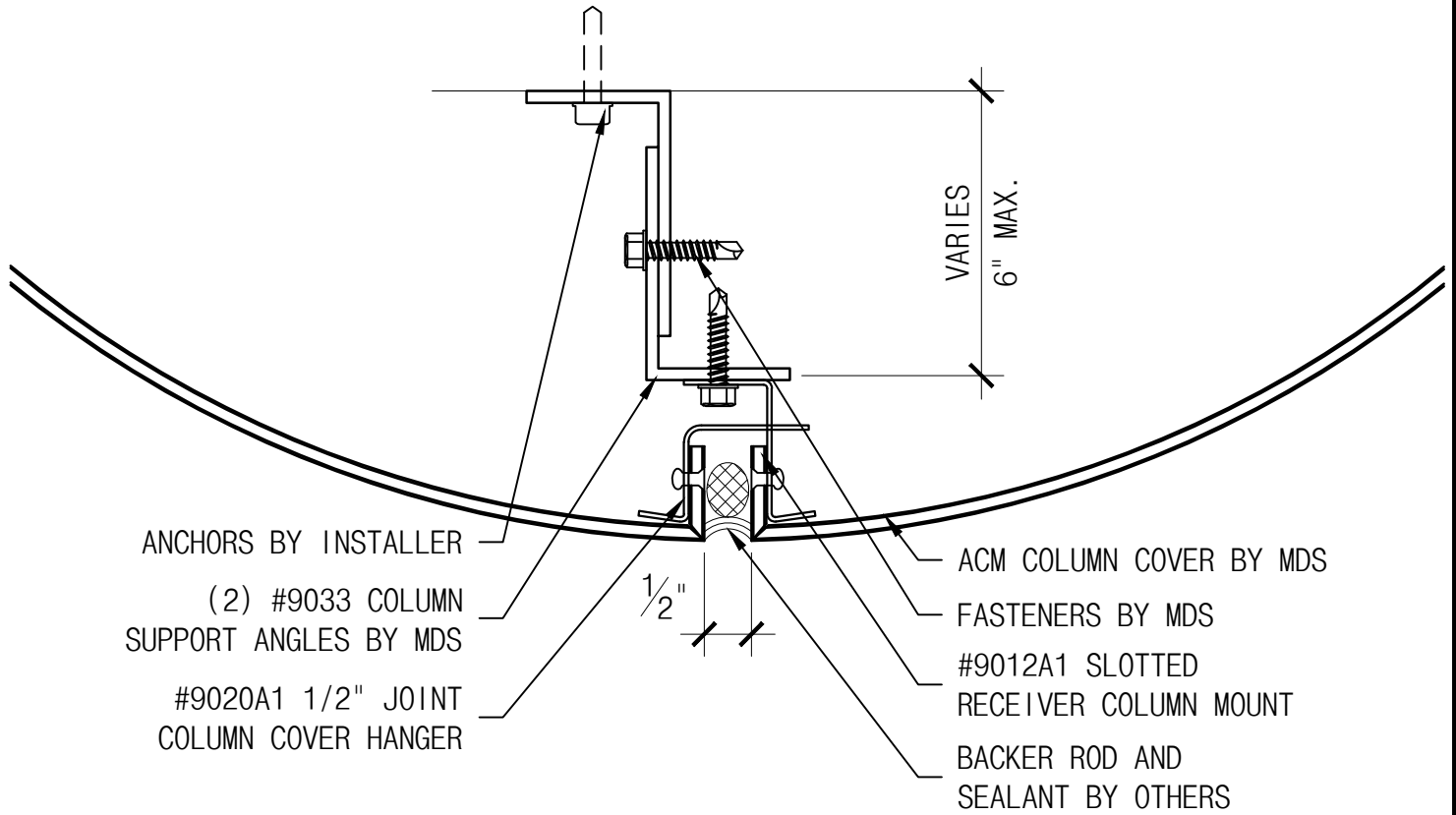
#9012A1 SLOTTED
RECEIVER COLUMN MOUNT




METAL DESIGN SYSTEMS
 4150 C Street S.W.
 CEDAR RAPIDS, IA. 52404
 Ph. (319) 362-7454

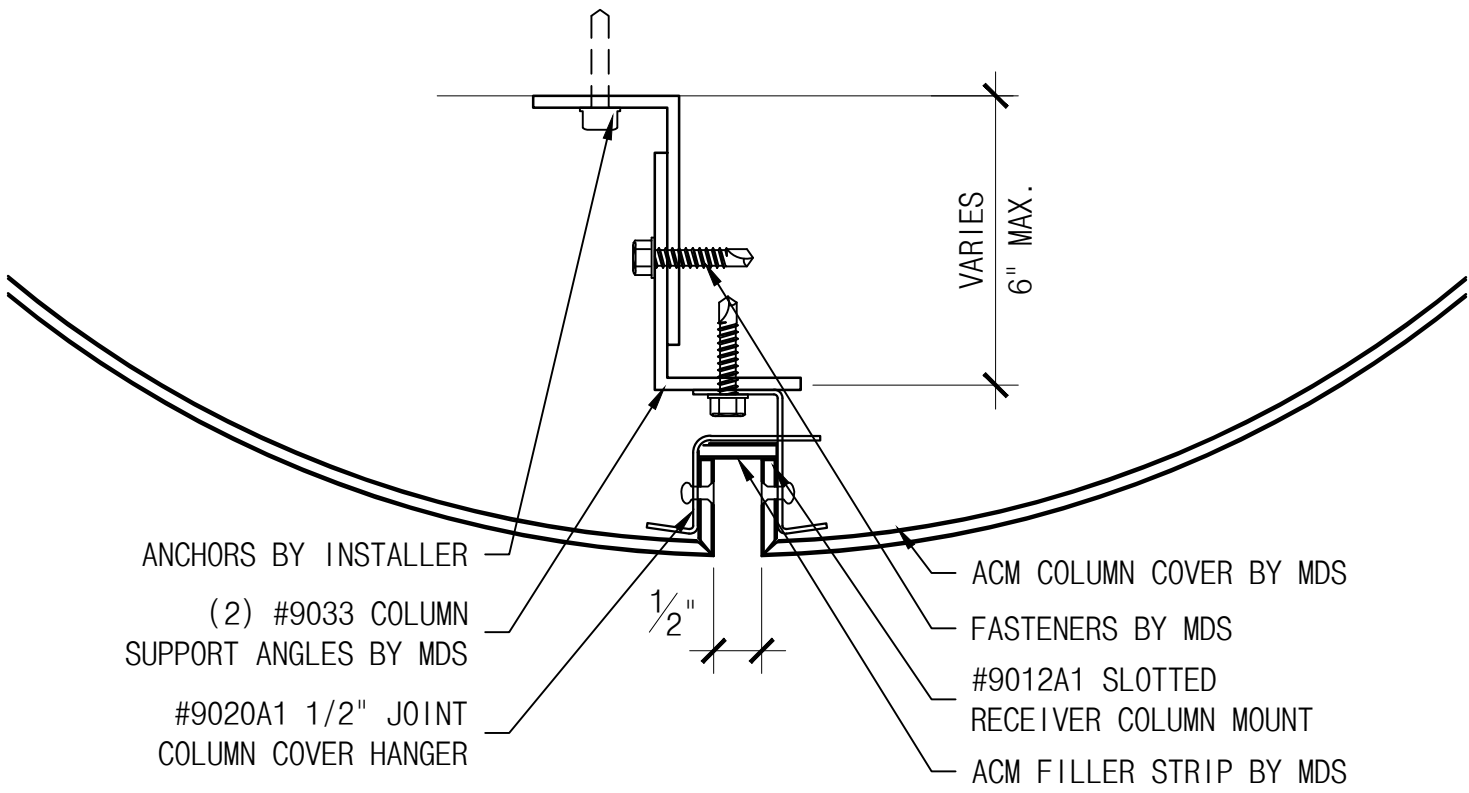
PROJECT COLUMN COVER DETAILS		
DRAWING DESCRIPTION HAIRLINE VERTICAL JOINT DETAIL		
PROJECT NUMBER	DRAWING NUMBER CC-ACM-01	DATE 08/13/14
SCALE AS NOTED	DRAWN BY JOE MARTIN	


8/13/2014 3:43 PM, Joe Martin, T:\Company Shared Folders\CAD\WEB\COLUMN COVERS\CAD FILES



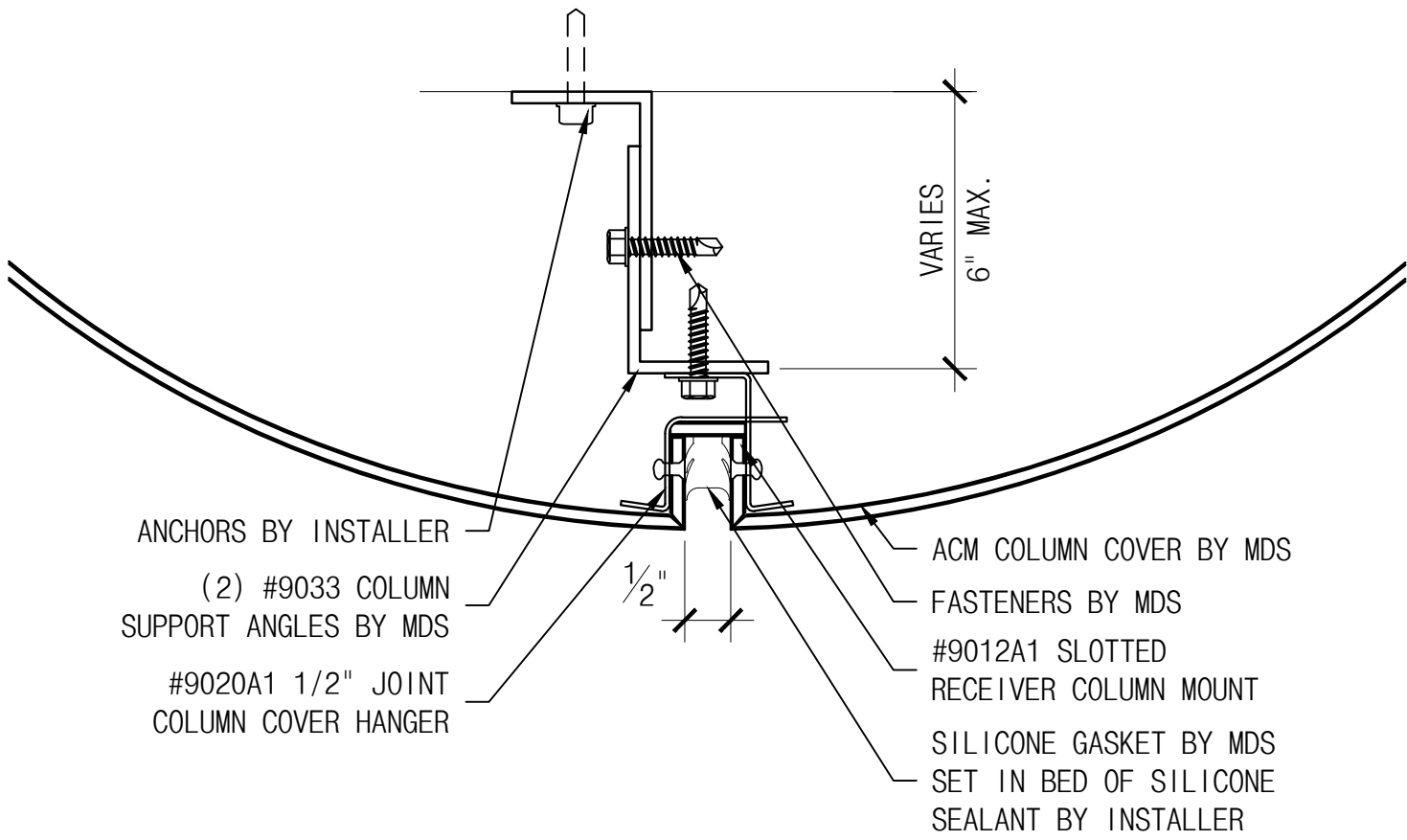
 METAL DESIGN SYSTEMS DESIGNED FOR A PERFECT FIT.	METAL DESIGN SYSTEMS 4150 C Street S.W. CEDAR RAPIDS, IA. 52404 Ph. (319) 362-7454	PROJECT COLUMN COVER DETAILS		
	DRAWING DESCRIPTION GLAZED VERTICAL JOINT DETAIL			
	PROJECT NUMBER	DRAWING NUMBER CC-ACM-02	DATE 08/13/14	
	MATERIAL	SCALE AS NOTED	DRAWN BY JOE MARTIN	


8/13/2014 3:43 PM, Joe Martin, T:\Company Shared Folders\CAD\WEB\COLUMN COVERS\CAD FILES



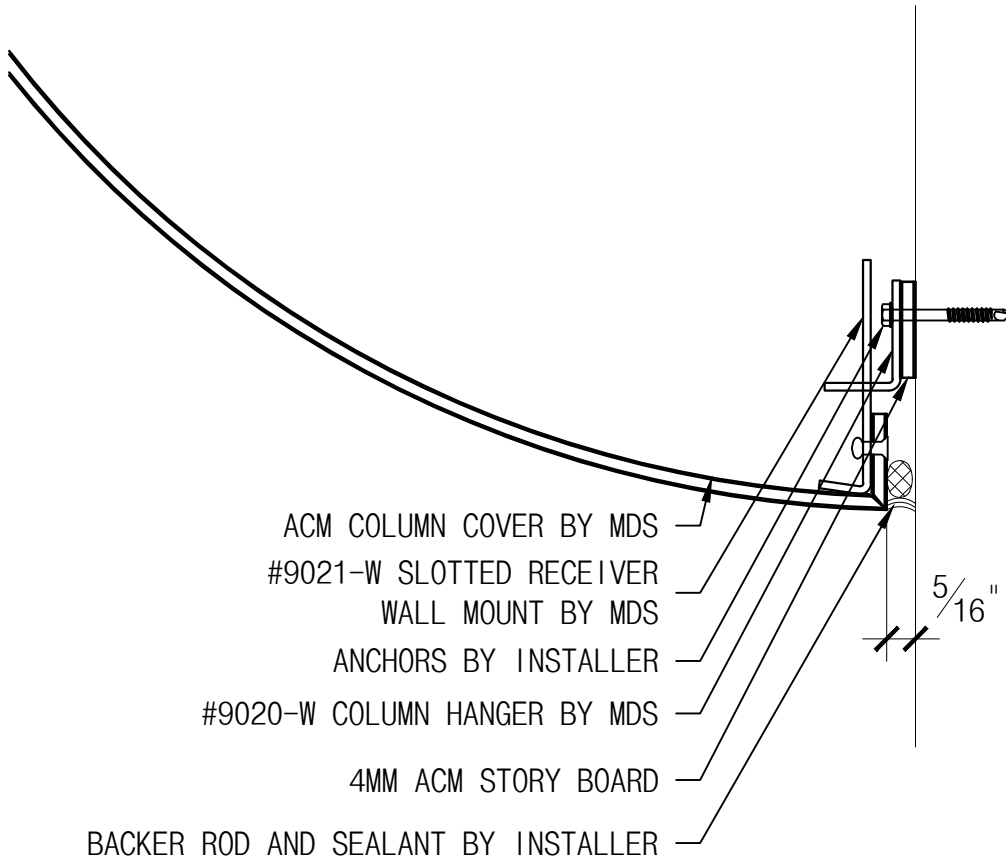
 <p>METAL DESIGN SYSTEMS DESIGNED FOR A PERFECT FIT.</p>	<p>METAL DESIGN SYSTEMS</p> <p>4150 C Street S.W. CEDAR RAPIDS, IA. 52404 Ph. (319) 362-7454</p>	<p>PROJECT COLUMN COVER DETAILS</p>			
	<p>DRAWING DESCRIPTION 1/2" VERTICAL JOINT DETAIL</p>				
	<p>PROJECT NUMBER</p>		<p>DRAWING NUMBER CC-ACM-03</p>	<p>DATE 08/13/14</p>	
	<p>MATERIAL</p>		<p>SCALE AS NOTED</p>	<p>DRAWN BY JOE MARTIN</p>	


8/13/2014 3:43 PM, Joe Martin, T:\Company Shared Folders\CAD\WEB\COLUMN COVERS\CAD FILES



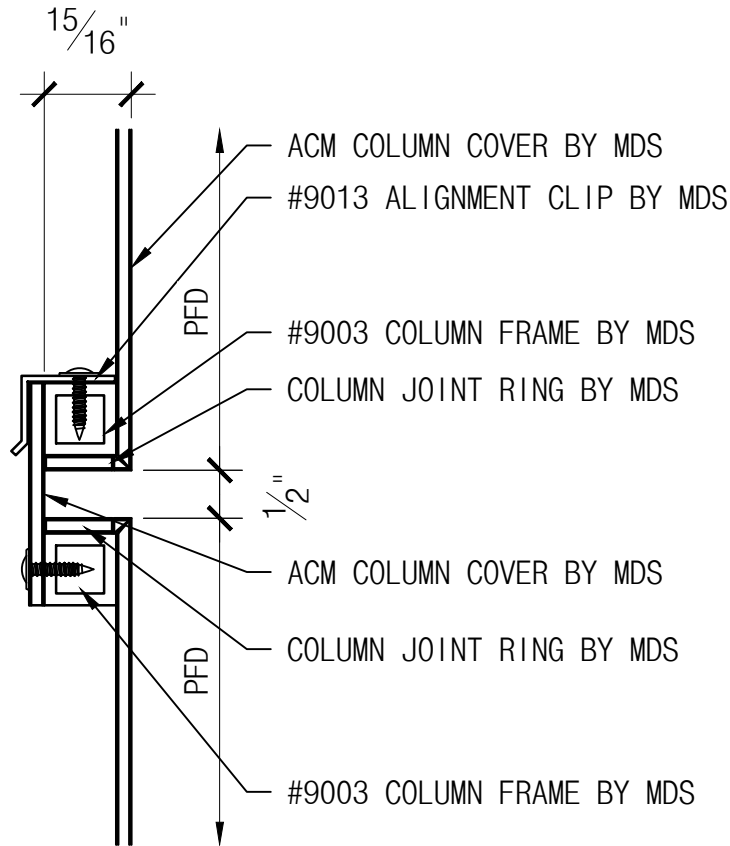
 <p>METAL DESIGN SYSTEMS DESIGNED FOR A PERFECT FIT.</p>	METAL DESIGN SYSTEMS 4150 C Street S.W. CEDAR RAPIDS, IA. 52404 Ph. (319) 362-7454		PROJECT COLUMN COVER DETAILS		
	DRAWING DESCRIPTION GASKET VERTICAL JOINT DETAIL				
	PROJECT NUMBER		DRAWING NUMBER CC-ACM-04	DATE 08/13/14	
	MATERIAL		SCALE AS NOTED	DRAWN BY JOE MARTIN	


8/13/2014 3:43 PM, Joe Martin, T:\Company Shared Folders\CAD\WEB\COLUMN COVERS\CAD FILES



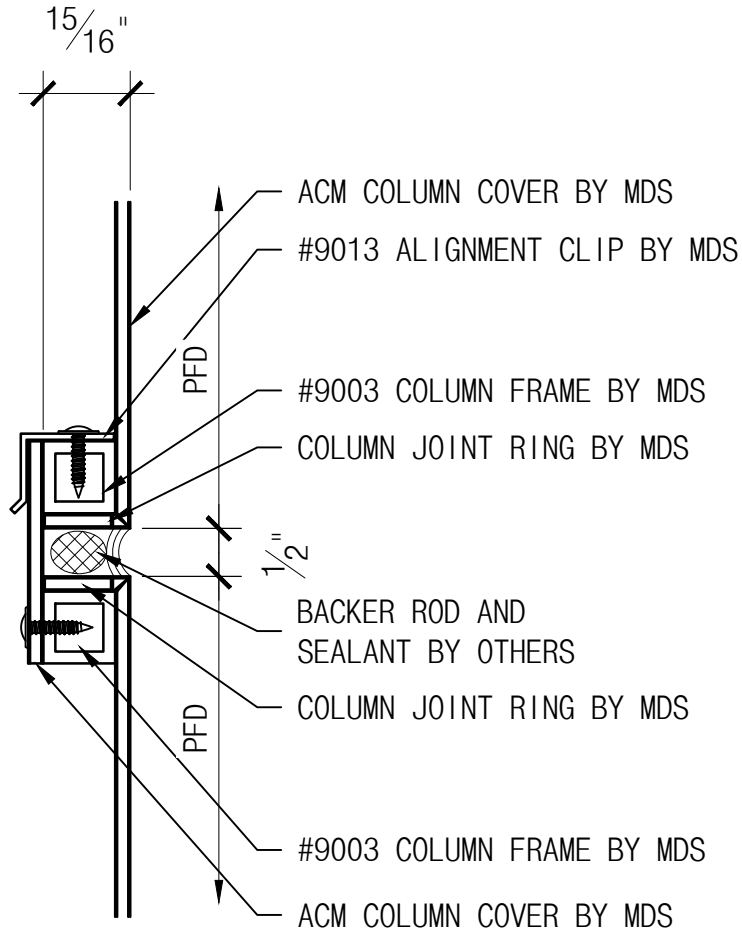
 METAL DESIGN SYSTEMS <small>DESIGNED FOR A PERFECT FIT.</small>	METAL DESIGN SYSTEMS 4150 C Street S.W. CEDAR RAPIDS, IA. 52404 Ph. (319) 362-7454	PROJECT COLUMN COVER DETAILS			
	DRAWING DESCRIPTION GLAZED WALL JOINT DETAIL				
	PROJECT NUMBER		DRAWING NUMBER CC-ACM-05	DATE 08/13/14	
	MATERIAL		SCALE AS NOTED	DRAWN BY JOE MARTIN	


8/13/2014 3:43 PM, Joe Martin, T:\Company Shared Folders\CAD\WEB\COLUMN COVERS\CAD FILES



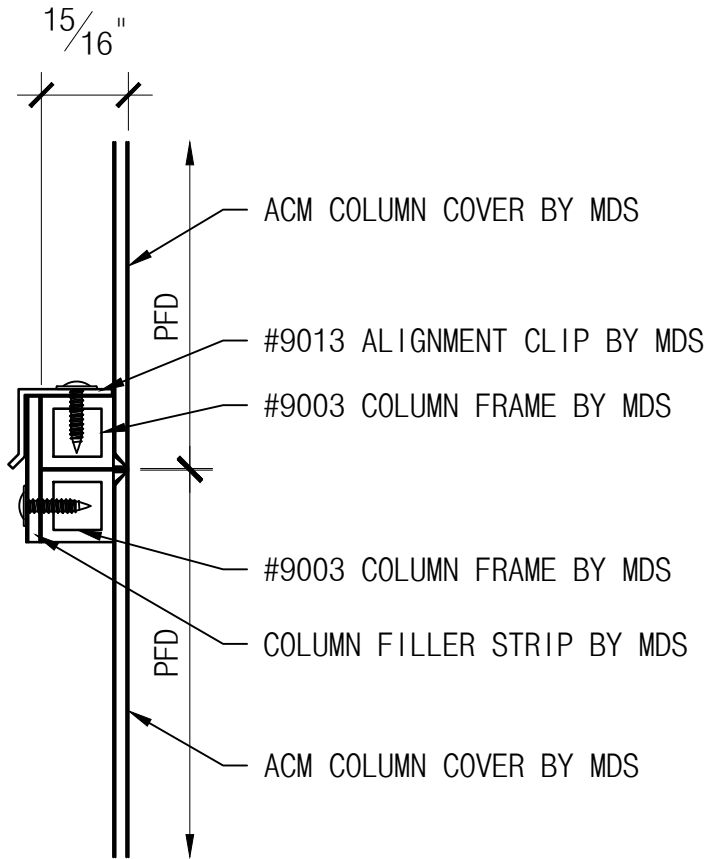
 METAL DESIGN SYSTEMS DESIGNED FOR A PERFECT FIT.	METAL DESIGN SYSTEMS 4150 C Street S.W. CEDAR RAPIDS, IA. 52404 Ph. (319) 362-7454	PROJECT COLUMN COVER DETAILS		
	DRAWING DESCRIPTION 1/2" HORIZONTAL JOINT DETAIL			
	PROJECT NUMBER	DRAWING NUMBER CC-ACM-06	DATE 08/13/14	
	MATERIAL	SCALE AS NOTED	DRAWN BY JOE MARTIN	


8/13/2014 3:43 PM, Joe Martin, T:\Company Shared Folders\CAD\WEB\COLUMN COVERS\CAD FILES

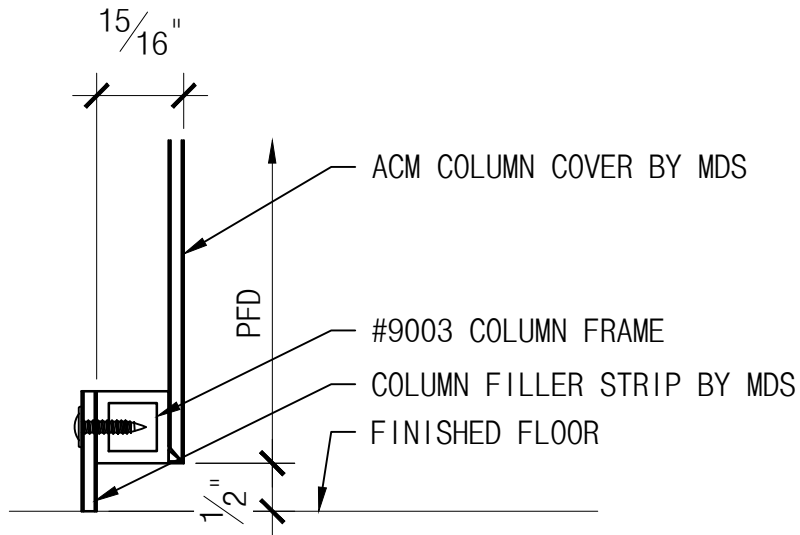



 <p>METAL DESIGN SYSTEMS DESIGNED FOR A PERFECT FIT.</p>	<p>METAL DESIGN SYSTEMS</p> <p>4150 C Street S.W. CEDAR RAPIDS, IA. 52404 Ph. (319) 362-7454</p>	<p>PROJECT COLUMN COVER DETAILS</p>			
	<p>DRAWING DESCRIPTION GASKET HORIZ. JOINT DETAIL</p>				
	<p>PROJECT NUMBER</p>		<p>DRAWING NUMBER CC-ACM-07</p>	<p>DATE 08/13/14</p>	
	<p>MATERIAL</p>		<p>SCALE AS NOTED</p>	<p>DRAWN BY JOE MARTIN</p>	

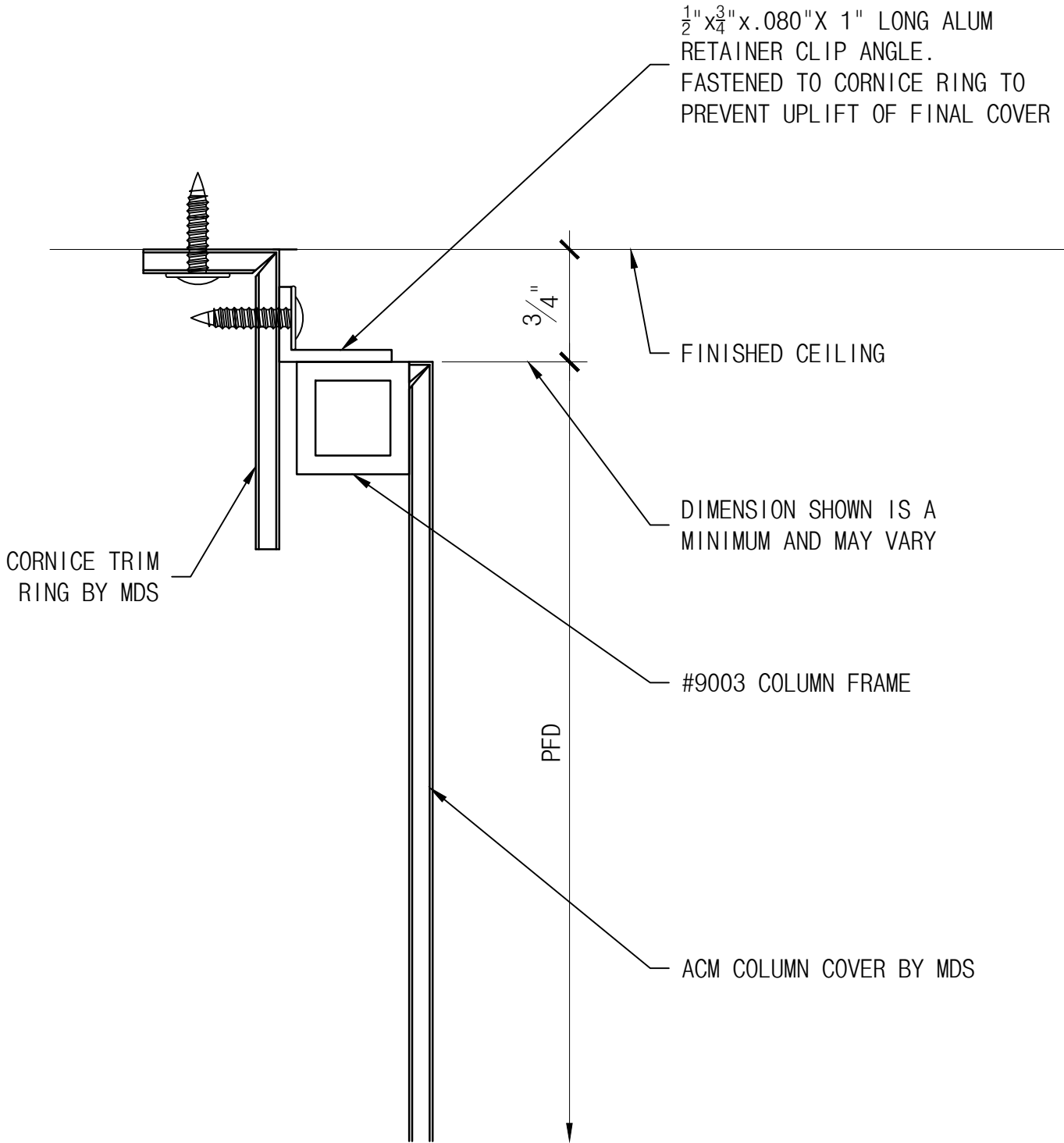
8/13/2014 3:43 PM, Joe Martin, T:\Company Shared Folders\CAD\WEB\COLUMN COVERS\CAD FILES




 METAL DESIGN SYSTEMS DESIGNED FOR A PERFECT FIT.	METAL DESIGN SYSTEMS 4150 C Street S.W. CEDAR RAPIDS, IA. 52404 Ph. (319) 362-7454	PROJECT COLUMN COVER DETAILS			
		DRAWING DESCRIPTION HAIRLINE HORIZ. JOINT DETAIL			
		PROJECT NUMBER	DRAWING NUMBER CC-ACM-08	DATE 08/13/14	
		MATERIAL	SCALE AS NOTED	DRAWN BY JOE MARTIN	



 METAL DESIGN SYSTEMS <small>DESIGNED FOR A PERFECT FIT.</small>	METAL DESIGN SYSTEMS 4150 C Street S.W. CEDAR RAPIDS, IA. 52404 Ph. (319) 362-7454	PROJECT COLUMN COVER DETAILS		
	DRAWING DESCRIPTION TYPICAL FLOOR JOINT DETAIL			
	PROJECT NUMBER	DRAWING NUMBER	DATE	
		CC-ACM-09	08/13/14	
MATERIAL	SCALE	DRAWN BY		
	AS NOTED	JOE MARTIN		



 METAL DESIGN SYSTEMS DESIGNED FOR A PERFECT FIT.	METAL DESIGN SYSTEMS 4150 C Street S.W. CEDAR RAPIDS, IA. 52404 Ph. (319) 362-7454	PROJECT COLUMN COVER DETAILS		
	DRAWING DESCRIPTION TOP OF COLUMN COVER			
	PROJECT NUMBER	DRAWING NUMBER CC-ACM-10	DATE 08/13/14	
	MATERIAL	SCALE AS NOTED	DRAWN BY JOE MARTIN	