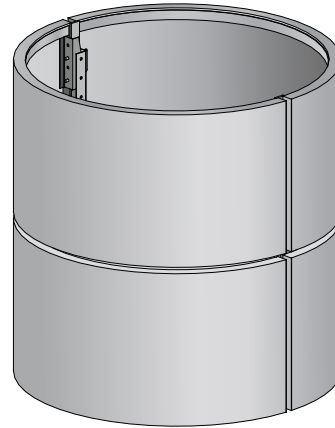
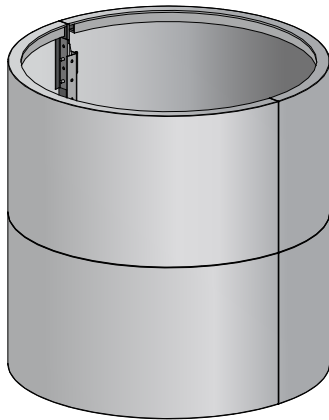


COLUMN COVERS



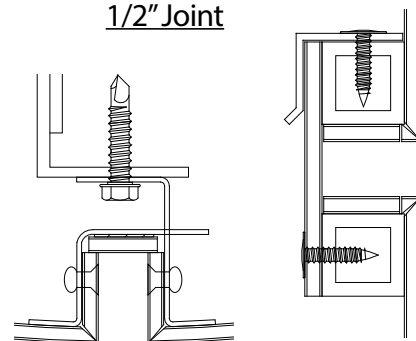
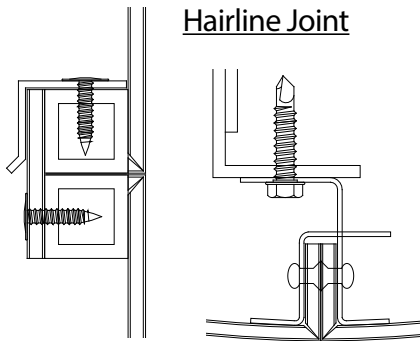
**METAL
DESIGN
SYSTEMS**

DESIGNED FOR
A PERFECT FIT.



Hairline Joint

1/2" Joint



Our standard **COLUMN COVERS** are available with a hairline or a half inch wide joint with either a dry reveal, caulked, or silicone gasket. We offer MCM or .125 Aluminum Plate in a wide variety of colors and finishes. The newly redesigned attachment system ensures an easy installation and great fit of the column panels. Because of our unique interlocking hanging system, the column panels are easily removable as well.

COLUMN COVER System Features

Attachment System	Interlocking/Hanging
Joint Type/Size	1/2" wide Reveal or Sealed or Hairline Butt Joint
Progressive System	Sequential Installation Required
Profile	Round or Square
Maintenance Free	Dry Joint
Weather Sealed System	1/2" wide Sealed Joint
Ease of Installation	Exceptionally Easy

COLUMN COVERS

Face Material:

Alpolic

Reynobond

Aluminum Plate

See Manufacture's Product Data for Technical Information

Thickness:

3MM (.118") Special Order

4MM (.157") Standard

6MM (.236") Special Order

System Depth:

From out side of column cover to mounting surface

1 3/4" minimum

Joint Width:

1/2" or hairline

Maximum Panel Size:

60" x 180" when flat

Hangers and Receivers

Stainless Steel

Thickness: .048"

Length: 4"

Recommended Spacing: 16" o.c.

Factory installed on panels

Round Column Covers:

Most Economical Radius

1/2 Round Panels	1/3 Round Panels	1/4 Round Panels
7"	13"	18"
9"	23"	30"
15"	28"	38"
19"		

Minimum Radius: 7"

Most Economical

Section Height: 63" 70" 96" 144"

Square Column Covers:

Most Economical Sizes

2 Piece Panel	4 Piece Panel
11" x 11"	22" x 22"
14" x 14"	28" x 28"
24" x 24"	48" x 48"
30" x 30"	60" x 60"

Most Economical

Section Height: 63" 70" 96" 144"

Fabricated Panel Tolerance:

Width: 0.08"

Length: 0.08"

Pan Depth: 0.04"

Square: 0.2"

Bow: Max. 0.57% of length and/or width

COLUMN COVER Recommended Fasteners

#12 Wood Screw



For attaching column covers or attachment clips to wood surfaces. Must be long enough to penetrate 1" into wood.

Dril-Flex #12 or equal



For attaching column covers to aluminum or steel surfaces. Must be long enough to penetrate with at least 3 threads visible from back side of attachment.

1/4" Tapcon



Use for attachment column covers to concrete or masonry surfaces. Minimum 2" from any edge to avoid structural spalling.



**METAL
DESIGN
SYSTEMS**

DESIGNED FOR
A PERFECT FIT.

4150 C Street SW | P.O. Box 1165 | Cedar Rapids, IA | 52406-1165

319-362-7454 | Toll Free 866-442-6803 | Fax 319-396-2935

METALDESIGNSYSTEMS.COM