
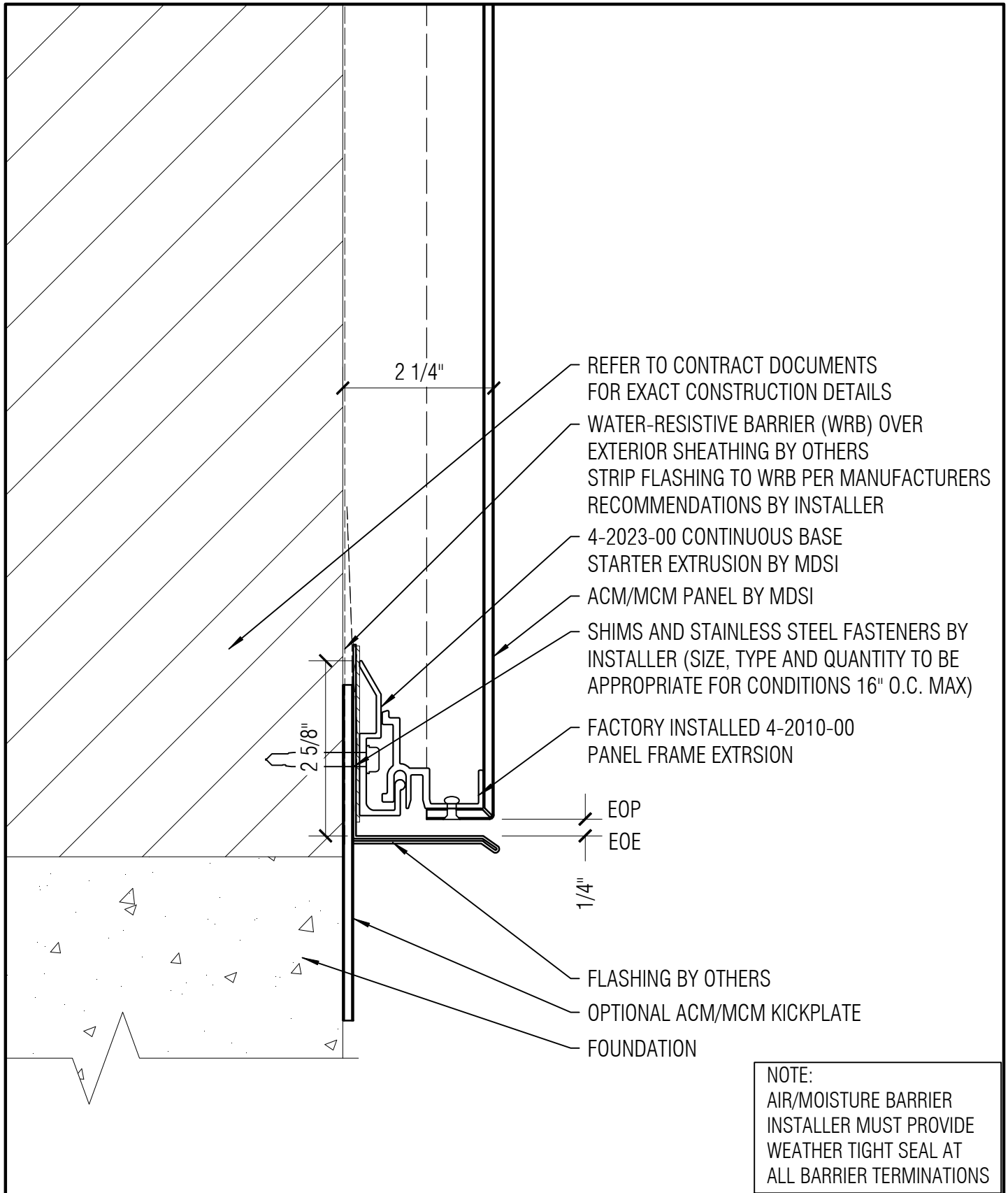



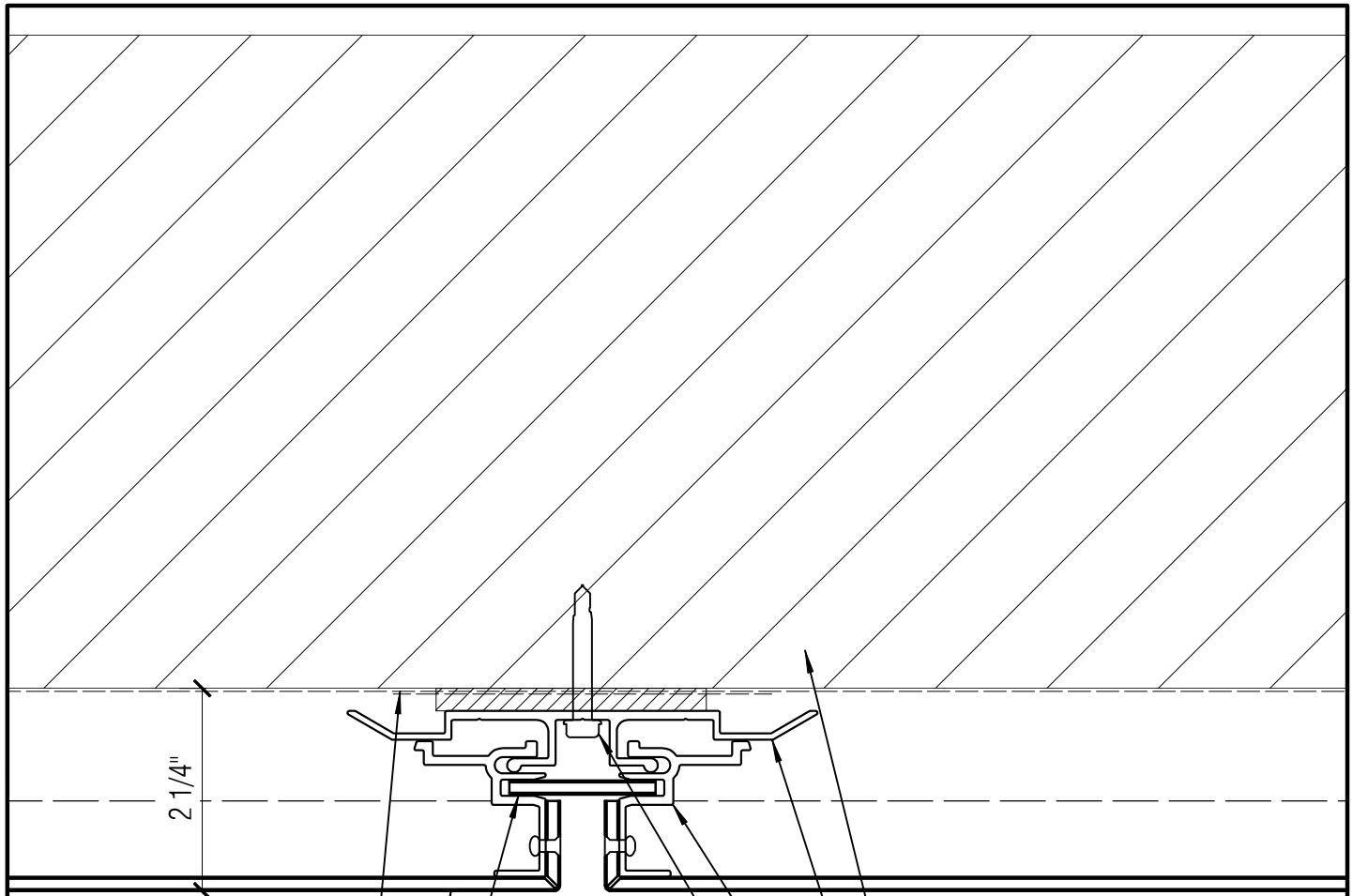
NOTE:
AIR/MOISTURE BARRIER
INSTALLER MUST PROVIDE
WEATHER TIGHT SEAL AT
ALL BARRIER TERMINATIONS

<p>THE INFORMATION CONTAINED IN THIS DRAWING IS THE SOLE PROPERTY OF METAL DESIGN SYSTEMS INC.. ANY REPRODUCTION, IN PART OR WHOLE, WITHOUT THE WRITTEN PERMISSION OF METAL DESIGN SYSTEMS INC. IS PROHIBITED.</p>  <p>METAL DESIGN SYSTEMS DESIGNED FOR A PERFECT FIT</p>	<p>METAL DESIGN SYSTEMS</p> <p>4150 C Street S.W. Cedar Rapids, Ia. 52404 Ph. (319) 362-7454</p>		<p>PROJECT: SERIES 20 DETAILS</p>		
	<p>MATERIAL:</p>		<p>DRAWING DESCRIPTION: TERM. AT FOUNDATION DETAIL (STD.)</p>		
			<p>PROJECT NUMBER:</p>	<p>DRAWING NUMBER: S20-MCM-01A</p>	<p>DATE: 10/1/18</p>
			<p>SCALE: 6" = 1'-0"</p>	<p>DRAWN BY: BSC</p>	



NOTE:
 AIR/MOISTURE BARRIER
 INSTALLER MUST PROVIDE
 WEATHER TIGHT SEAL AT
 ALL BARRIER TERMINATIONS

<p>THE INFORMATION CONTAINED IN THIS DRAWING IS THE SOLE PROPERTY OF METAL DESIGN SYSTEMS INC.. ANY REPRODUCTION, IN PART OR WHOLE, WITHOUT THE WRITTEN PERMISSION OF METAL DESIGN SYSTEMS INC. IS PROHIBITED.</p>  <p>METAL DESIGN SYSTEMS <small>DESIGNED FOR A PERFECT FIT</small></p>	<p>METAL DESIGN SYSTEMS</p> <p>4150 C Street S.W. Cedar Rapids, Ia. 52404 Ph. (319) 362-7454</p>		<p>PROJECT: SERIES 20 DETAILS</p>		
	<p>MATERIAL:</p>		<p>DRAWING DESCRIPTION: TERM. AT FOUNDATION DETAIL (STD.)</p>		
			<p>PROJECT NUMBER:</p>	<p>DRAWING NUMBER: S20-MCM-01B</p>	<p>DATE: 10/1/18</p>
			<p>SCALE: 6" = 1'-0"</p>	<p>DRAWN BY: BSC</p>	



WATER-RESISTIVE BARRIER (WRB) OVER EXTERIOR SHEATHING BY OTHERS
TREAT ALL FASTENER PENETRATIONS PER WRB MANUFACTURERS RECOMMENDATIONS BY INSTALLER

ACM/MCM PANEL BY MDSI

1-5/8" ACM/MCM INFILL STRIP BY MDSI

1/4" EOP C EOP 1/4"

REFER TO CONTRACT DOCUMENTS FOR EXACT CONSTRUCTION DETAILS

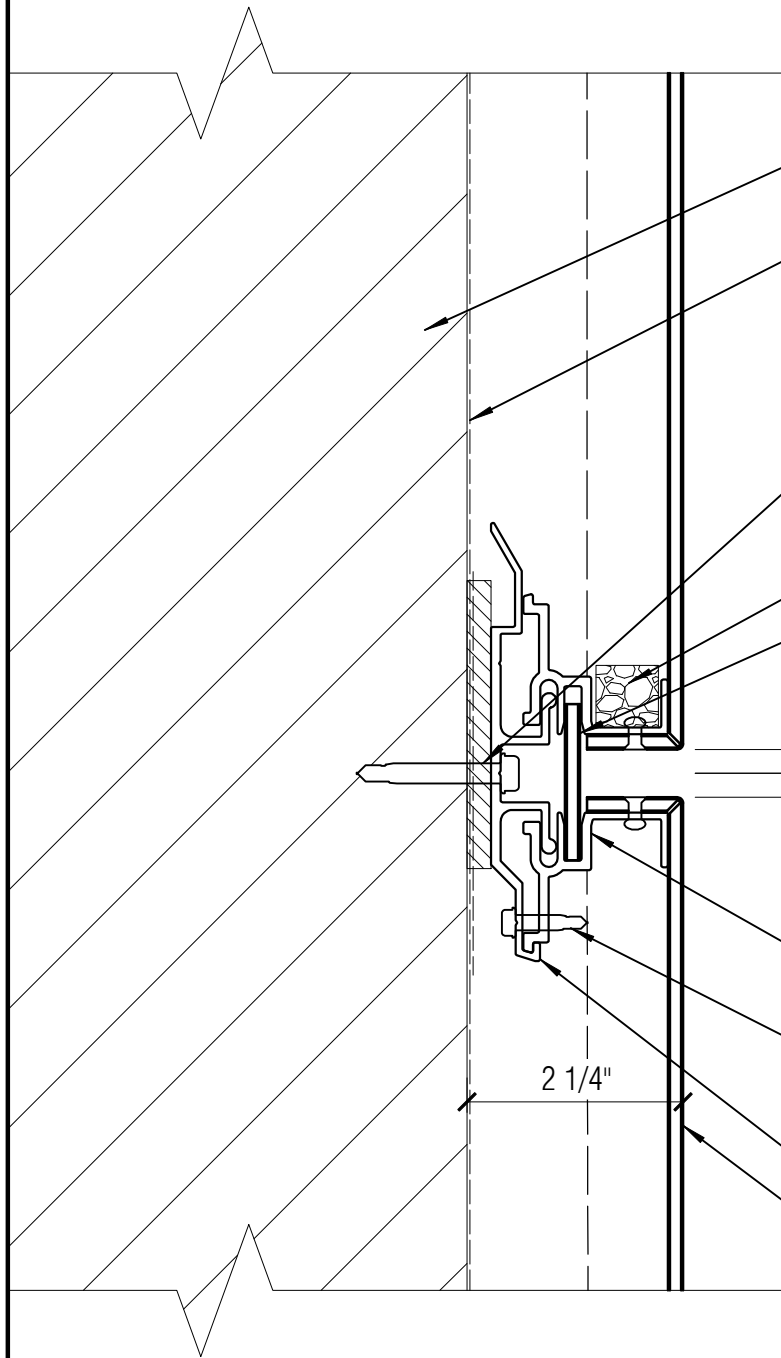
4-2013-00 4" VERTICAL CLIP BY MDSI

FACTORY INSTALLED 4-2010-00 PANEL FRAME EXTRUSION

SHIMS AND STAINLESS STEEL FASTENERS BY INSTALLER (SIZE, TYPE AND QUANTITY TO BE APPROPRIATE FOR CONDITIONS 16" O.C. MAX)


NOTE:
AIR/MOISTURE BARRIER INSTALLER MUST PROVIDE WEATHER TIGHT SEAL AT ALL BARRIER TERMINATIONS

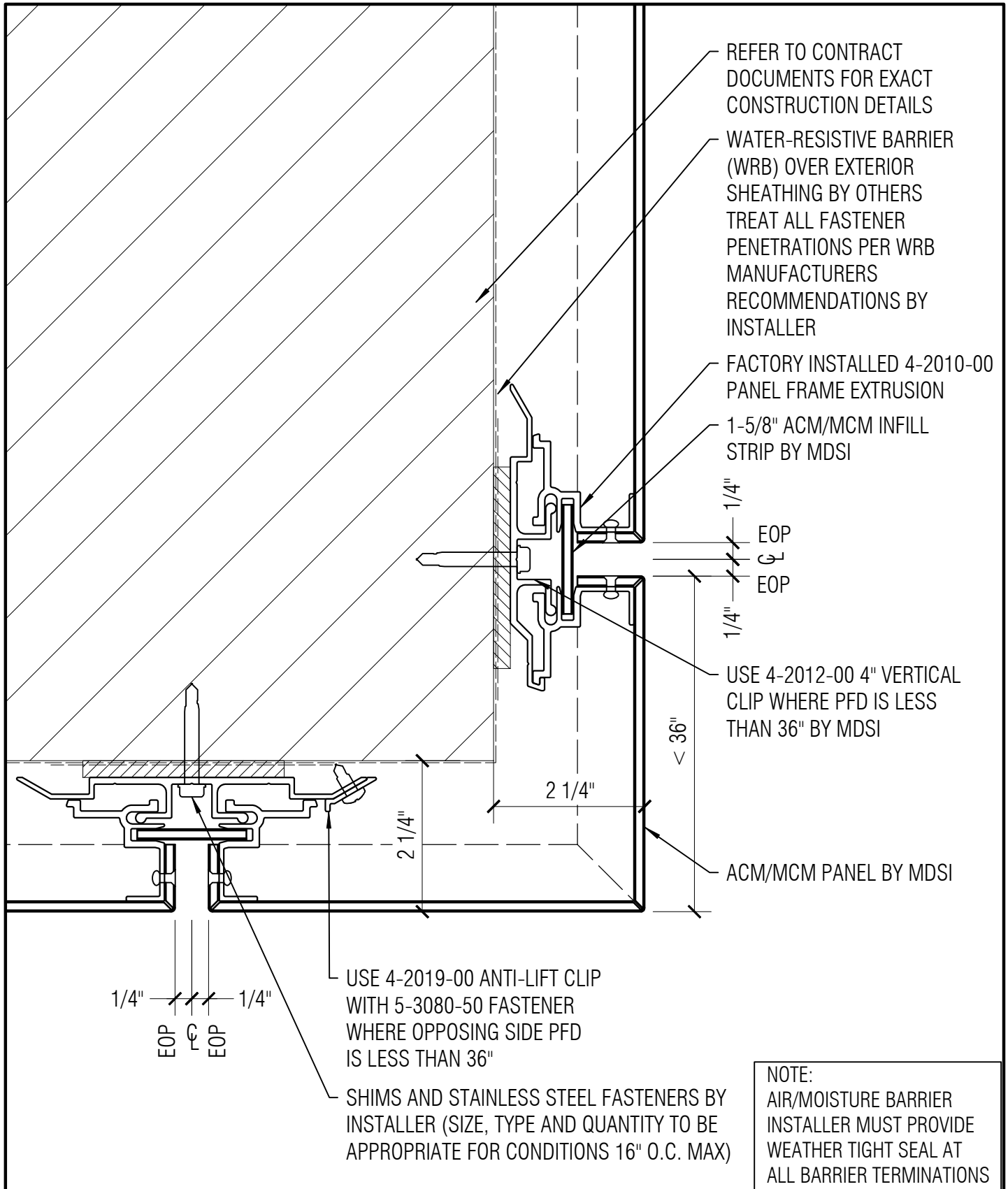
<p>THE INFORMATION CONTAINED IN THIS DRAWING IS THE SOLE PROPERTY OF METAL DESIGN SYSTEMS INC.. ANY REPRODUCTION, IN PART OR WHOLE, WITHOUT THE WRITTEN PERMISSION OF METAL DESIGN SYSTEMS INC. IS PROHIBITED.</p>  <p>METAL DESIGN SYSTEMS DESIGNED FOR A PERFECT FIT</p>	<p>METAL DESIGN SYSTEMS</p>		<p>PROJECT: SERIES 20 DETAILS</p>			
	<p>4150 C Street S.W. Cedar Rapids, Ia. 52404 Ph. (319) 362-7454</p>		<p>DRAWING DESCRIPTION: VERTICAL PANEL JOINT DETAIL (TYP.)</p>			
	<p>MATERIAL:</p>		<p>PROJECT NUMBER:</p>	<p>DRAWING NUMBER: S20-MCM-02</p>	<p>DATE: 10/1/18</p>	
			<p>SCALE: 6" = 1'-0"</p>	<p>DRAWN BY: BSC</p>		



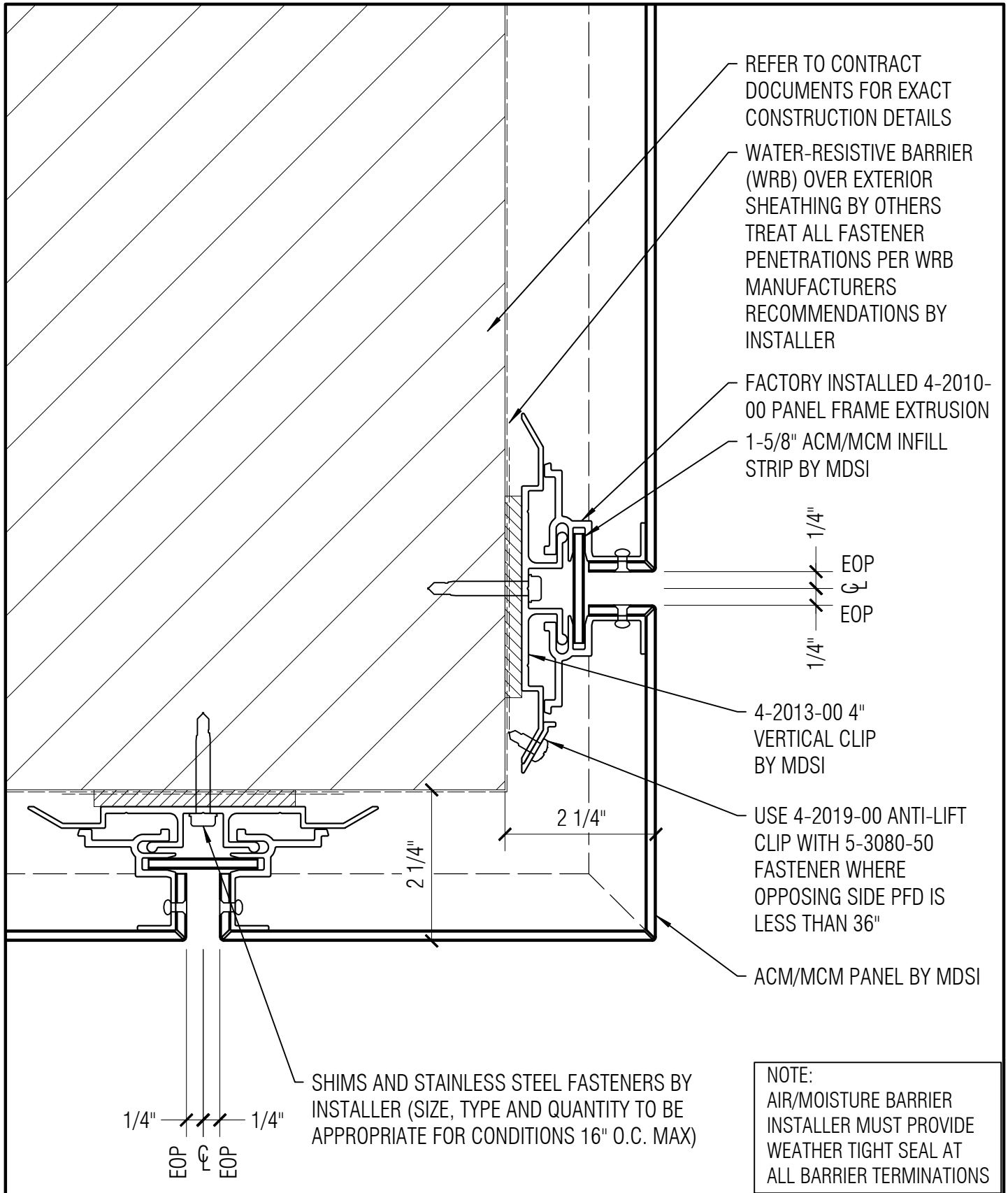
- REFER TO CONTRACT DOCUMENTS FOR EXACT CONSTRUCTION DETAILS
- WATER-RESISTIVE BARRIER (WRB) OVER EXTERIOR SHEATHING BY OTHERS TREAT ALL FASTENER PENETRATIONS PER WRB MANUFACTURERS RECOMMENDATIONS BY INSTALLER
- SHIMS AND STAINLESS STEEL FASTENERS BY INSTALLER (SIZE, TYPE AND QUANTITY TO BE APPROPRIATE FOR CONDITIONS 16" O.C. MAX)
- FACTORY INSTALLED WEEP AND BAFFLE
- 1-5/8" ACM/MCM INFILL STRIP BY MDSI
- 1/4" EOP
- 1/4" EOP
- FACTORY INSTALLED 4-2010-00 PANEL FRAME EXTRUSION
- 5-2100-75 HEX WASHER HEAD FASTENER AT CENTER CLIP ONLY, PROVIDED BY MDSI, FIELD INSTALLED
- 4-2012-00 4" HORIZONTAL CLIP BY MDSI
- ACM/MCM PANEL BY MDSI

NOTE:
AIR/MOISTURE BARRIER
INSTALLER MUST PROVIDE
WEATHER TIGHT SEAL AT
ALL BARRIER TERMINATIONS

<p>THE INFORMATION CONTAINED IN THIS DRAWING IS THE SOLE PROPERTY OF METAL DESIGN SYSTEMS INC.. ANY REPRODUCTION, IN PART OR WHOLE, WITHOUT THE WRITTEN PERMISSION OF METAL DESIGN SYSTEMS INC. IS PROHIBITED.</p>  <p>METAL DESIGN SYSTEMS DESIGNED FOR A PERFECT FIT</p>	<p>METAL DESIGN SYSTEMS</p> <p>4150 C Street S.W. Cedar Rapids, Ia. 52404 Ph. (319) 362-7454</p>		<p>PROJECT: SERIES 20 DETAILS</p>		
	<p>MATERIAL:</p>		<p>DRAWING DESCRIPTION: HORIZONTAL PANEL JOINT DETAIL (TYP.)</p>		
			<p>PROJECT NUMBER:</p>	<p>DRAWING NUMBER: S20-MCM-03</p>	<p>DATE: 10/1/18</p>
			<p>SCALE: 6" = 1'-0"</p>	<p>DRAWN BY: BSC</p>	



<p>THE INFORMATION CONTAINED IN THIS DRAWING IS THE SOLE PROPERTY OF METAL DESIGN SYSTEMS INC.. ANY REPRODUCTION, IN PART OR WHOLE, WITHOUT THE WRITTEN PERMISSION OF METAL DESIGN SYSTEMS INC. IS PROHIBITED.</p>  <p>METAL DESIGN SYSTEMS DESIGNED FOR A PERFECT FIT</p>	<p>METAL DESIGN SYSTEMS</p>		<p>PROJECT: SERIES 20 DETAILS</p>			
	<p>4150 C Street S.W. Cedar Rapids, Ia. 52404 Ph. (319) 362-7454</p>		<p>DRAWING DESCRIPTION: OUTSIDE CORNER DETAIL</p>			
	<p>MATERIAL:</p>		<p>PROJECT NUMBER:</p>	<p>DRAWING NUMBER: S20-MCM-04A</p>	<p>DATE: 10/1/18</p>	
			<p>SCALE: 6" = 1'-0"</p>	<p>DRAWN BY: BSC</p>		

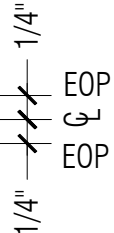


REFER TO CONTRACT DOCUMENTS FOR EXACT CONSTRUCTION DETAILS

WATER-RESISTIVE BARRIER (WRB) OVER EXTERIOR SHEATHING BY OTHERS TREAT ALL FASTENER PENETRATIONS PER WRB MANUFACTURERS RECOMMENDATIONS BY INSTALLER

FACTORY INSTALLED 4-2010-00 PANEL FRAME EXTRUSION

1-5/8" ACM/MCM INFILL STRIP BY MDSI




4-2013-00 4" VERTICAL CLIP BY MDSI

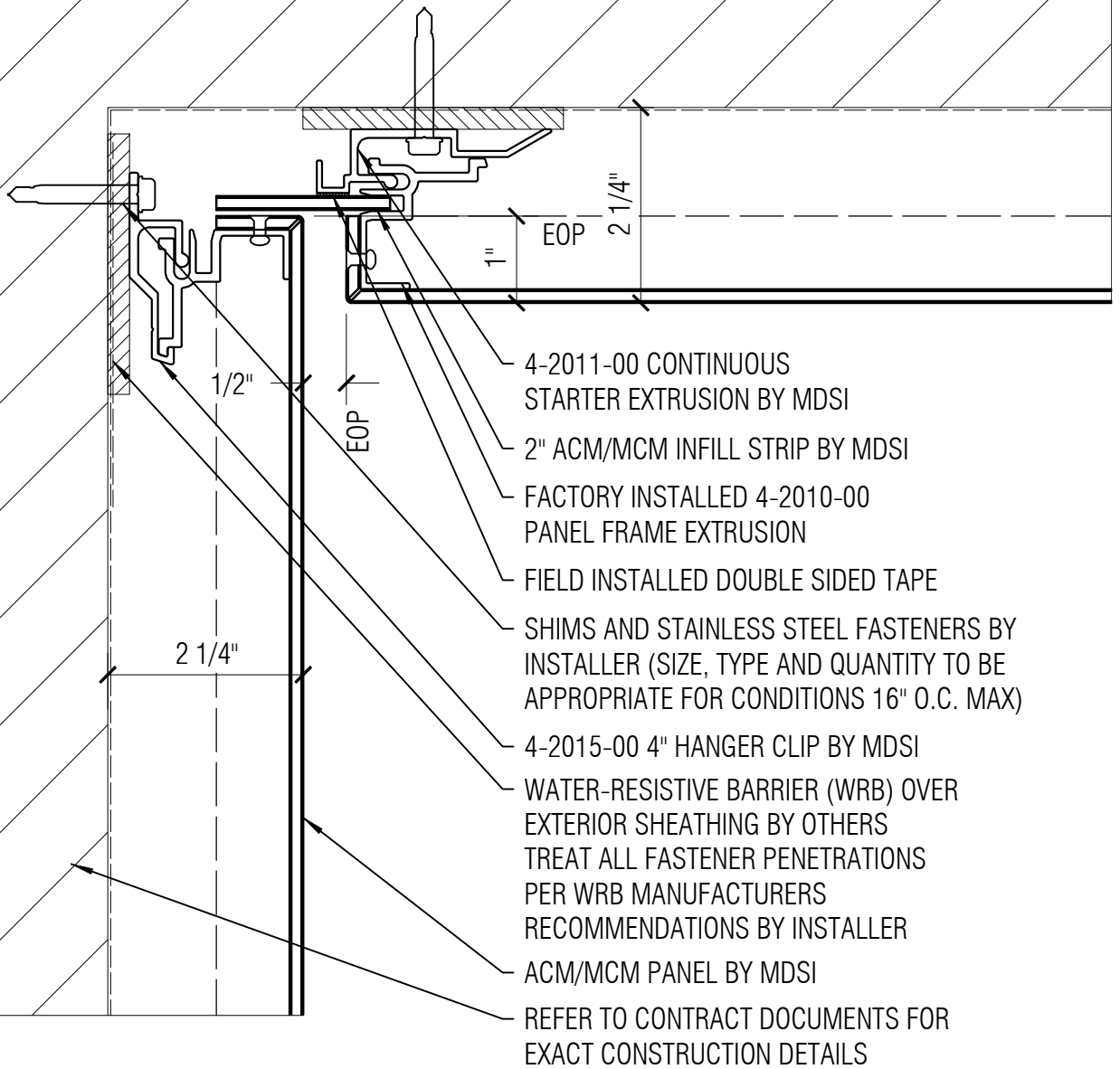
USE 4-2019-00 ANTI-LIFT CLIP WITH 5-3080-50 FASTENER WHERE OPPOSING SIDE PFD IS LESS THAN 36"

ACM/MCM PANEL BY MDSI

SHIMS AND STAINLESS STEEL FASTENERS BY INSTALLER (SIZE, TYPE AND QUANTITY TO BE APPROPRIATE FOR CONDITIONS 16" O.C. MAX)

NOTE:
AIR/MOISTURE BARRIER INSTALLER MUST PROVIDE WEATHER TIGHT SEAL AT ALL BARRIER TERMINATIONS

<p>THE INFORMATION CONTAINED IN THIS DRAWING IS THE SOLE PROPERTY OF METAL DESIGN SYSTEMS INC.. ANY REPRODUCTION, IN PART OR WHOLE, WITHOUT THE WRITTEN PERMISSION OF METAL DESIGN SYSTEMS INC. IS PROHIBITED.</p>  <p>METAL DESIGN SYSTEMS DESIGNED FOR A PERFECT FIT</p>	<p>METAL DESIGN SYSTEMS</p>	<p>PROJECT: SERIES 20 DETAILS</p>		
	<p>4150 C Street S.W. Cedar Rapids, Ia. 52404 Ph. (319) 362-7454</p>	<p>DRAWING DESCRIPTION: OUTSIDE CORNER DETAIL</p>		
	<p>MATERIAL:</p>	<p>PROJECT NUMBER:</p>	<p>DRAWING NUMBER: S20-MCM-04B</p>	<p>DATE: 10/1/18</p>
	<p>SCALE: 6" = 1'-0"</p>	<p>DRAWN BY: BSC</p>		



NOTE:
 AIR/MOISTURE BARRIER
 INSTALLER MUST PROVIDE
 WEATHER TIGHT SEAL AT
 ALL BARRIER TERMINATIONS

THE INFORMATION CONTAINED IN THIS DRAWING IS THE SOLE PROPERTY OF METAL DESIGN SYSTEMS INC.. ANY REPRODUCTION, IN PART OR WHOLE, WITHOUT THE WRITTEN PERMISSION OF METAL DESIGN SYSTEMS INC. IS PROHIBITED.



METAL DESIGN SYSTEMS

4150 C Street S.W.
 Cedar Rapids, Ia. 52404
 Ph. (319) 362-7454

MATERIAL:

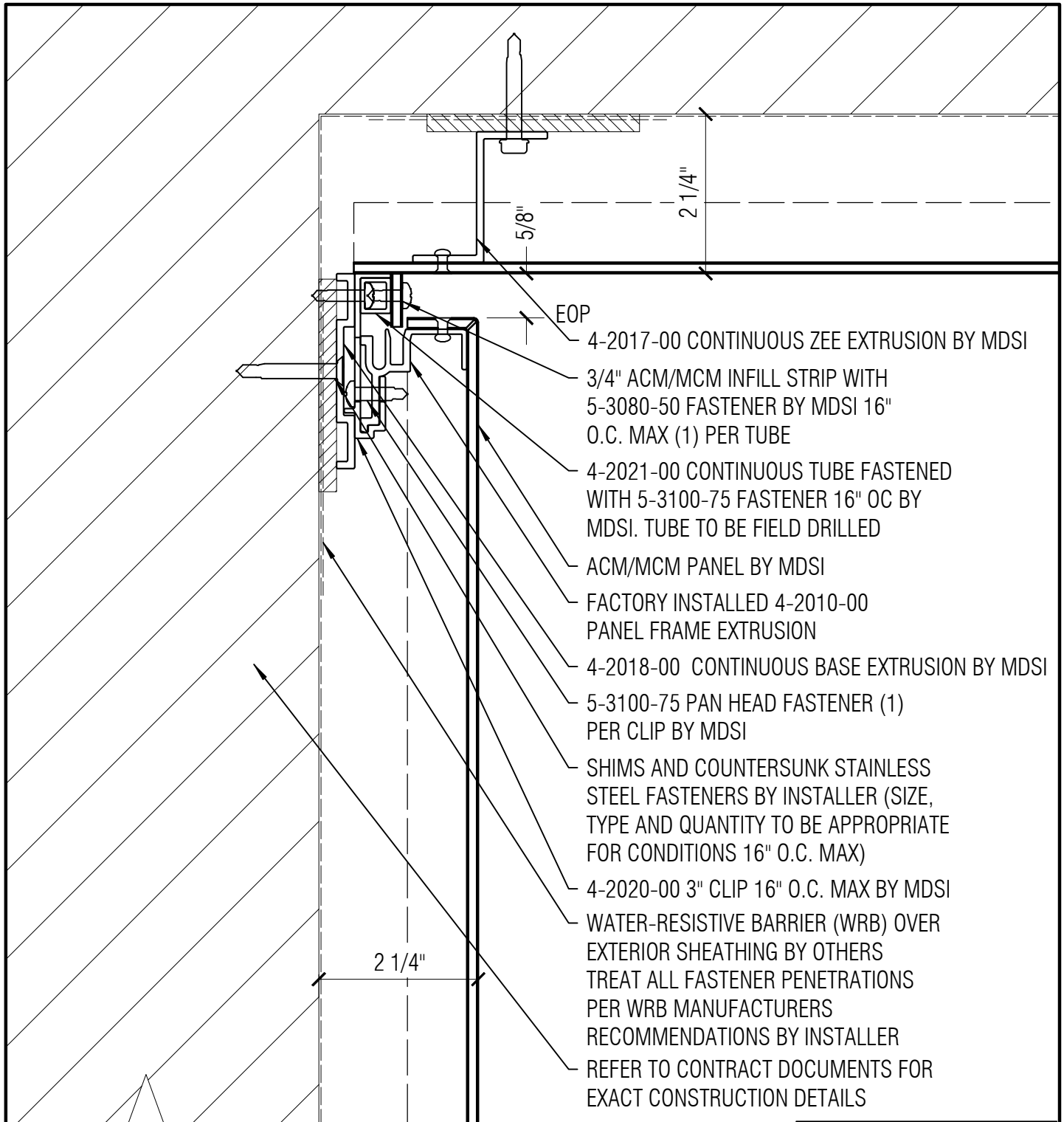
PROJECT:
SERIES 20 DETAILS

DRAWING DESCRIPTION:
INSIDE CORNER DETAIL (STD.)

PROJECT NUMBER:	DRAWING NUMBER: S20-MCM-05A	DATE: 10/1/18
-----------------	---------------------------------------	-------------------------


SCALE:
6" = 1'-0"

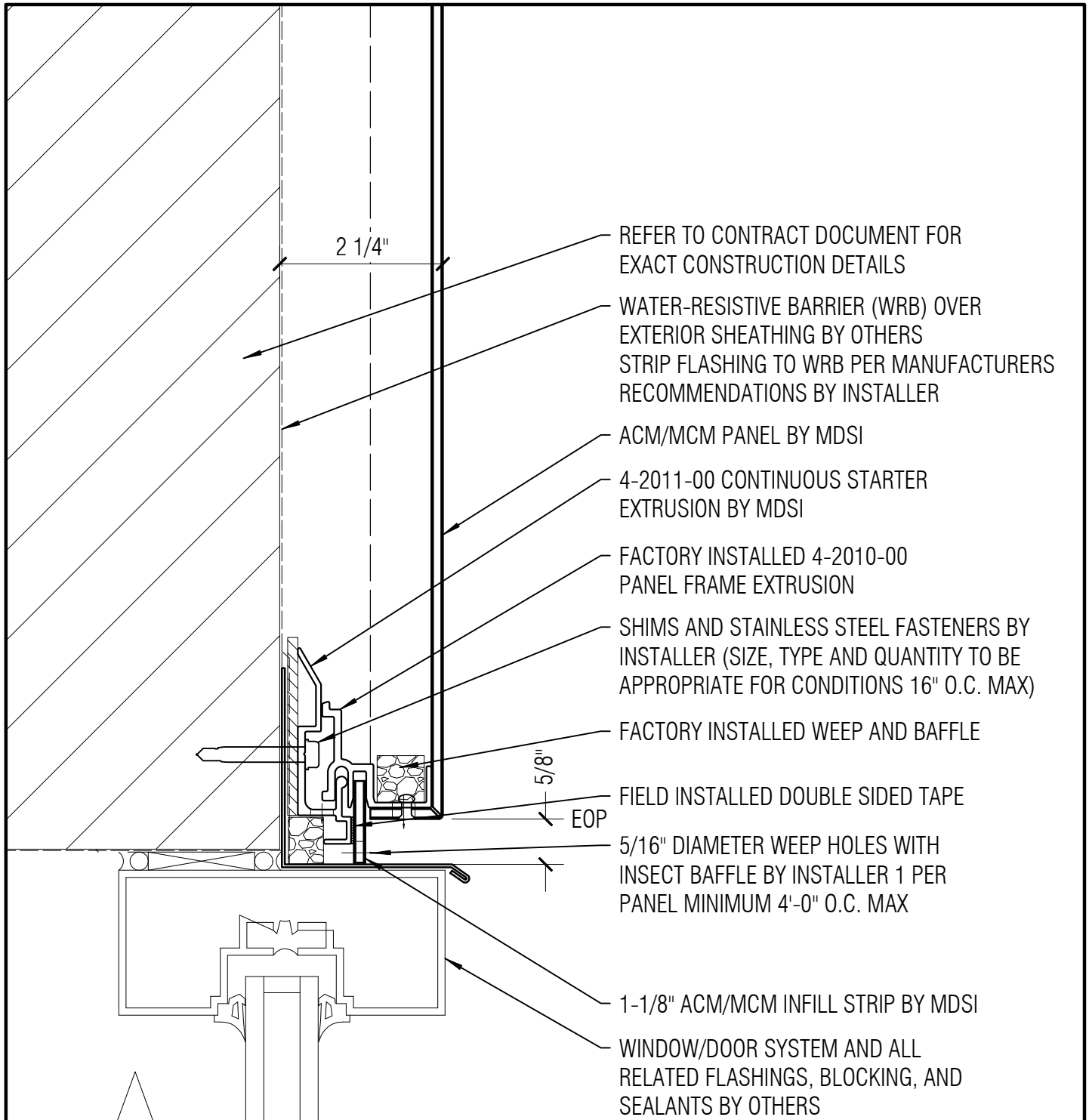
DRAWN BY:
BSC



- EOP
- 4-2017-00 CONTINUOUS ZEE EXTRUSION BY MDSI
- 3/4" ACM/MCM INFILL STRIP WITH 5-3080-50 FASTENER BY MDSI 16" O.C. MAX (1) PER TUBE
- 4-2021-00 CONTINUOUS TUBE FASTENED WITH 5-3100-75 FASTENER 16" OC BY MDSI. TUBE TO BE FIELD DRILLED
- ACM/MCM PANEL BY MDSI
- FACTORY INSTALLED 4-2010-00 PANEL FRAME EXTRUSION
- 4-2018-00 CONTINUOUS BASE EXTRUSION BY MDSI
- 5-3100-75 PAN HEAD FASTENER (1) PER CLIP BY MDSI
- SHIMS AND COUNTERSUNK STAINLESS STEEL FASTENERS BY INSTALLER (SIZE, TYPE AND QUANTITY TO BE APPROPRIATE FOR CONDITIONS 16" O.C. MAX)
- 4-2020-00 3" CLIP 16" O.C. MAX BY MDSI
- WATER-RESISTIVE BARRIER (WRB) OVER EXTERIOR SHEATHING BY OTHERS
- TREAT ALL FASTENER PENETRATIONS PER WRB MANUFACTURERS RECOMMENDATIONS BY INSTALLER
- REFER TO CONTRACT DOCUMENTS FOR EXACT CONSTRUCTION DETAILS

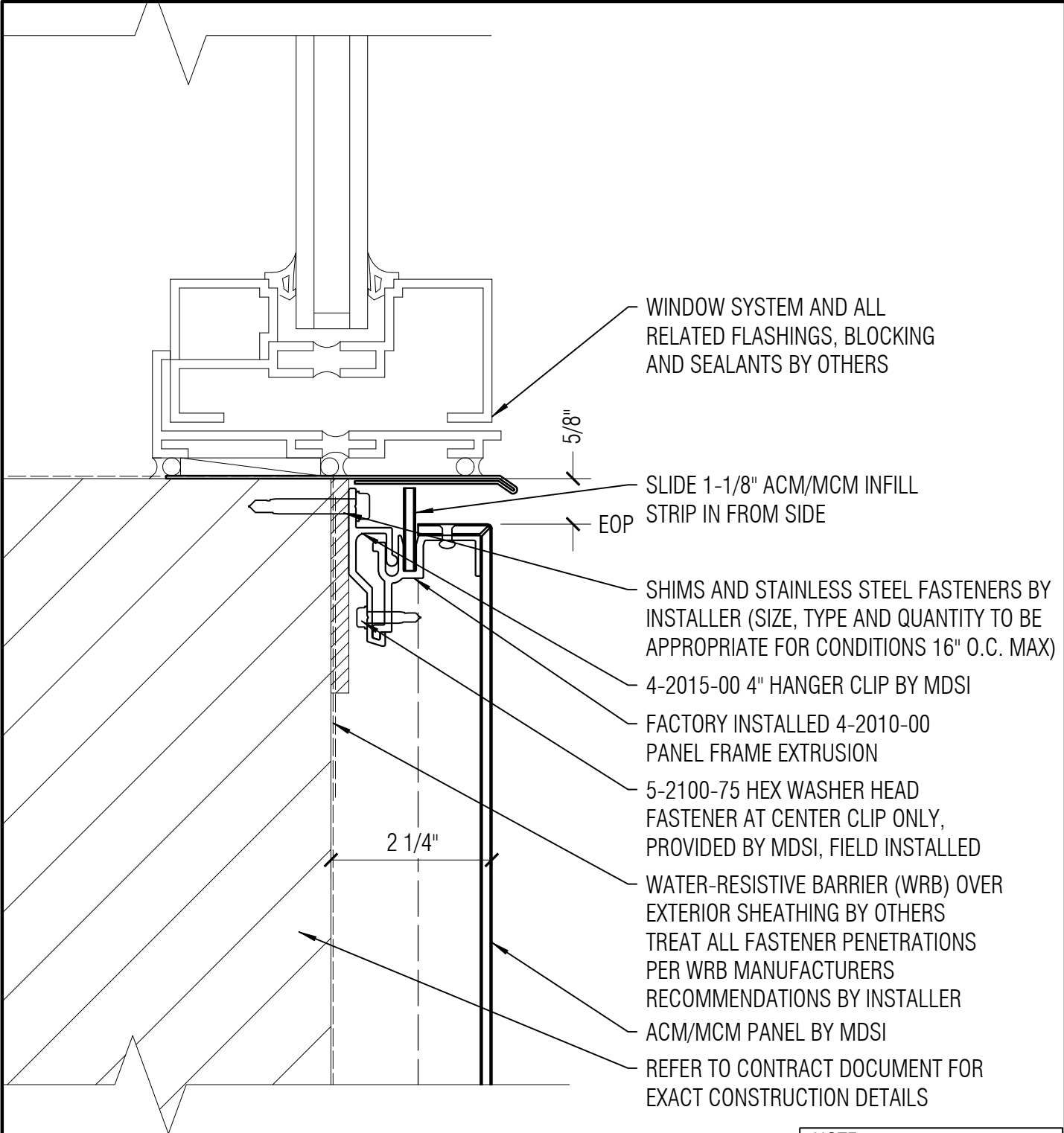
NOTE:
 AIR/MOISTURE BARRIER
 INSTALLER MUST PROVIDE
 WEATHER TIGHT SEAL AT
 ALL BARRIER TERMINATIONS

<p>THE INFORMATION CONTAINED IN THIS DRAWING IS THE SOLE PROPERTY OF METAL DESIGN SYSTEMS INC.. ANY REPRODUCTION, IN PART OR WHOLE, WITHOUT THE WRITTEN PERMISSION OF METAL DESIGN SYSTEMS INC. IS PROHIBITED.</p>  <p>METAL DESIGN SYSTEMS <small>DESIGNED FOR A PERFECT FIT</small></p>	<p>METAL DESIGN SYSTEMS</p>		<p>PROJECT: SERIES 20 DETAILS</p>			
	<p>4150 C Street S.W. Cedar Rapids, Ia. 52404 Ph. (319) 362-7454</p>		<p>DRAWING DESCRIPTION: INSIDE CORNER DETAIL (OPT.)</p>			
	<p>MATERIAL:</p>		<p>PROJECT NUMBER:</p>	<p>DRAWING NUMBER: S20-MCM-05B</p>	<p>DATE: 10/1/18</p>	
			<p>SCALE: 6" = 1'-0"</p>	<p>DRAWN BY: BSC</p>		



NOTE:
 AIR/MOISTURE BARRIER
 INSTALLER MUST PROVIDE
 WEATHER TIGHT SEAL AT
 ALL BARRIER TERMINATIONS

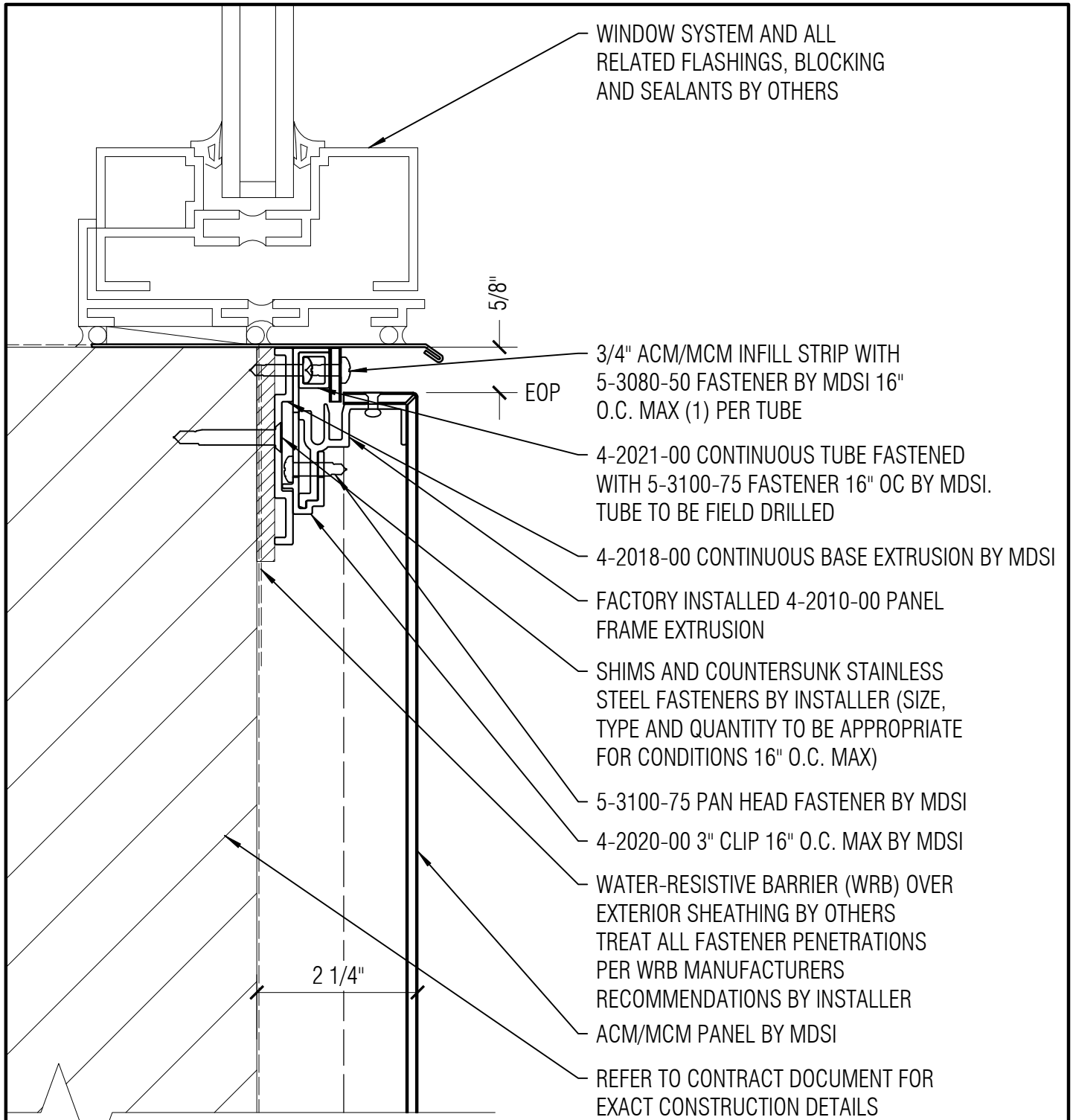
<p>THE INFORMATION CONTAINED IN THIS DRAWING IS THE SOLE PROPERTY OF METAL DESIGN SYSTEMS INC.. ANY REPRODUCTION, IN PART OR WHOLE, WITHOUT THE WRITTEN PERMISSION OF METAL DESIGN SYSTEMS INC. IS PROHIBITED.</p>  <p>METAL DESIGN SYSTEMS DESIGNED FOR A PERFECT FIT</p>	<p>METAL DESIGN SYSTEMS</p>		<p>PROJECT: SERIES 20 DETAILS</p>			
	<p>4150 C Street S.W. Cedar Rapids, Ia. 52404 Ph. (319) 362-7454</p>		<p>DRAWING DESCRIPTION: WINDOW/DOOR HEAD DETAIL (STD.)</p>			
	<p>MATERIAL:</p>		<p>PROJECT NUMBER:</p>	<p>DRAWING NUMBER: S20-MCM-06</p>	<p>DATE: 10/1/18</p>	
			<p>SCALE: 6" = 1'-0"</p>	<p>DRAWN BY: BSC</p>		



NOTE:
 AIR/MOISTURE BARRIER
 INSTALLER MUST PROVIDE
 WEATHER TIGHT SEAL AT
 ALL BARRIER TERMINATIONS

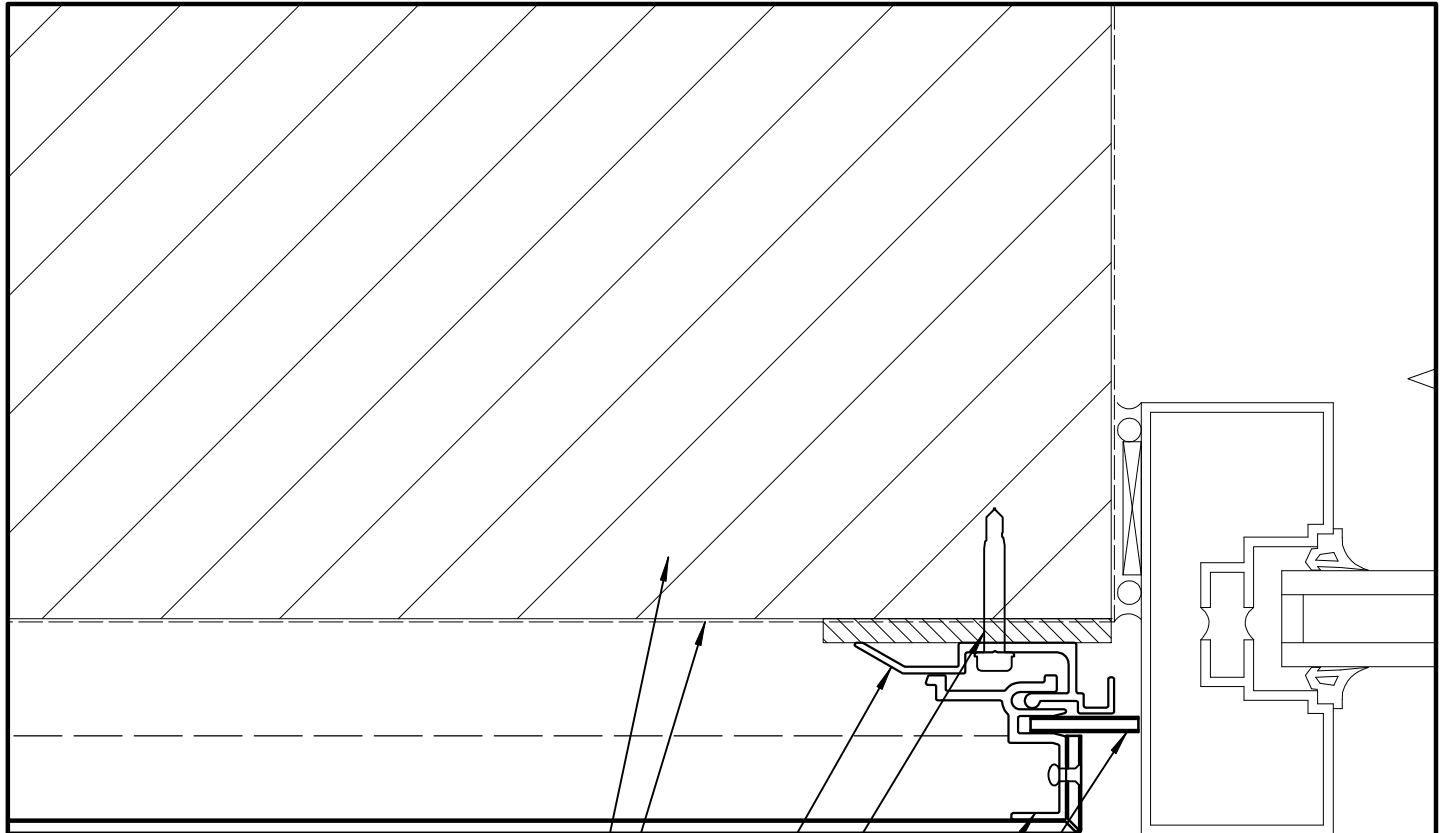
<p>THE INFORMATION CONTAINED IN THIS DRAWING IS THE SOLE PROPERTY OF METAL DESIGN SYSTEMS INC.. ANY REPRODUCTION, IN PART OR WHOLE, WITHOUT THE WRITTEN PERMISSION OF METAL DESIGN SYSTEMS INC. IS PROHIBITED.</p>  <p>METAL DESIGN SYSTEMS <small>DESIGNED FOR A PERFECT FIT</small></p>	<p>METAL DESIGN SYSTEMS</p>		<p>PROJECT: SERIES 20 DETAILS</p>			
	<p>4150 C Street S.W. Cedar Rapids, Ia. 52404 Ph. (319) 362-7454</p>		<p>DRAWING DESCRIPTION: WINDOW SILL DETAIL (STD.)</p>			
	<p>MATERIAL:</p>		<p>PROJECT NUMBER:</p>	<p>DRAWING NUMBER: S20-MCM-07A</p>	<p>DATE: 10/1/18</p>	
			<p>SCALE: 6" = 1'-0"</p>	<p>DRAWN BY: BSC</p>		

T:\Company Shared Folders\Tech\System Info\Series 20 rethink\Series 20 Rethink Details\New Series 20 for Rhino Details (website only not for modeling).3dm page 11 of 30 printed 8/29/2019 6:59 last saved 8/29/2019 6:58



NOTE:
 AIR/MOISTURE BARRIER
 INSTALLER MUST PROVIDE
 WEATHER TIGHT SEAL AT
 ALL BARRIER TERMINATIONS

<p>THE INFORMATION CONTAINED IN THIS DRAWING IS THE SOLE PROPERTY OF METAL DESIGN SYSTEMS INC.. ANY REPRODUCTION, IN PART OR WHOLE, WITHOUT THE WRITTEN PERMISSION OF METAL DESIGN SYSTEMS INC. IS PROHIBITED.</p>  <p>METAL DESIGN SYSTEMS <small>DESIGNED FOR A PERFECT FIT</small></p>	<p>METAL DESIGN SYSTEMS</p>		<p>PROJECT: SERIES 20 DETAILS</p>			
	<p>4150 C Street S.W. Cedar Rapids, Ia. 52404 Ph. (319) 362-7454</p>		<p>DRAWING DESCRIPTION: WINDOW SILL DETAIL (OPT.)</p>			
	<p>MATERIAL:</p>		<p>PROJECT NUMBER:</p>	<p>DRAWING NUMBER: S20-MCM-07B</p>	<p>DATE: 10/1/18</p>	
			<p>SCALE: 6" = 1'-0"</p>	<p>DRAWN BY: BSC</p>		

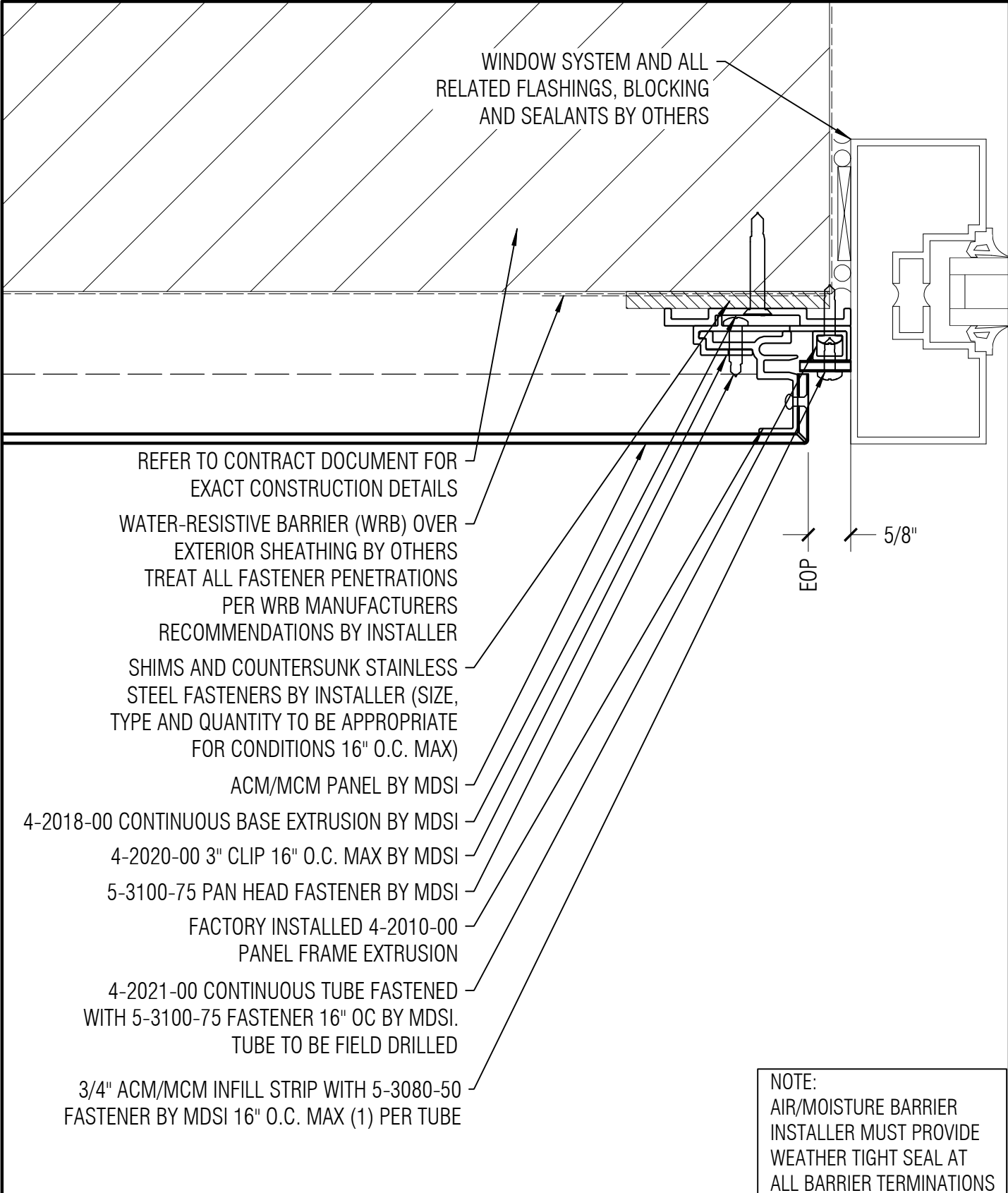



- REFER TO CONTRACT DOCUMENT FOR EXACT CONSTRUCTION DETAILS
- WATER-RESISTIVE BARRIER (WRB) OVER EXTERIOR SHEATHING BY OTHERS
- TREAT ALL FASTENER PENETRATIONS PER WRB MANUFACTURERS RECOMMENDATIONS BY INSTALLER
- 4-2011-00 CONTINUOUS STARTER EXTRUSION BY MDSI
- SHIMS AND STAINLESS STEEL FASTENERS BY INSTALLER (SIZE, TYPE AND QUANTITY TO BE APPROPRIATE FOR CONDITIONS 16" O.C. MAX)
- ACM/MCM PANEL BY MDSI
- FACTORY INSTALLED 4-2010-00 PANEL FRAME EXTRUSION
- 1-1/8" ACM/MCM INFILL STRIP BY MDSI
- WINDOW SYSTEM AND ALL RELATED FLASHINGS, BLOCKING AND SEALANTS BY OTHERS

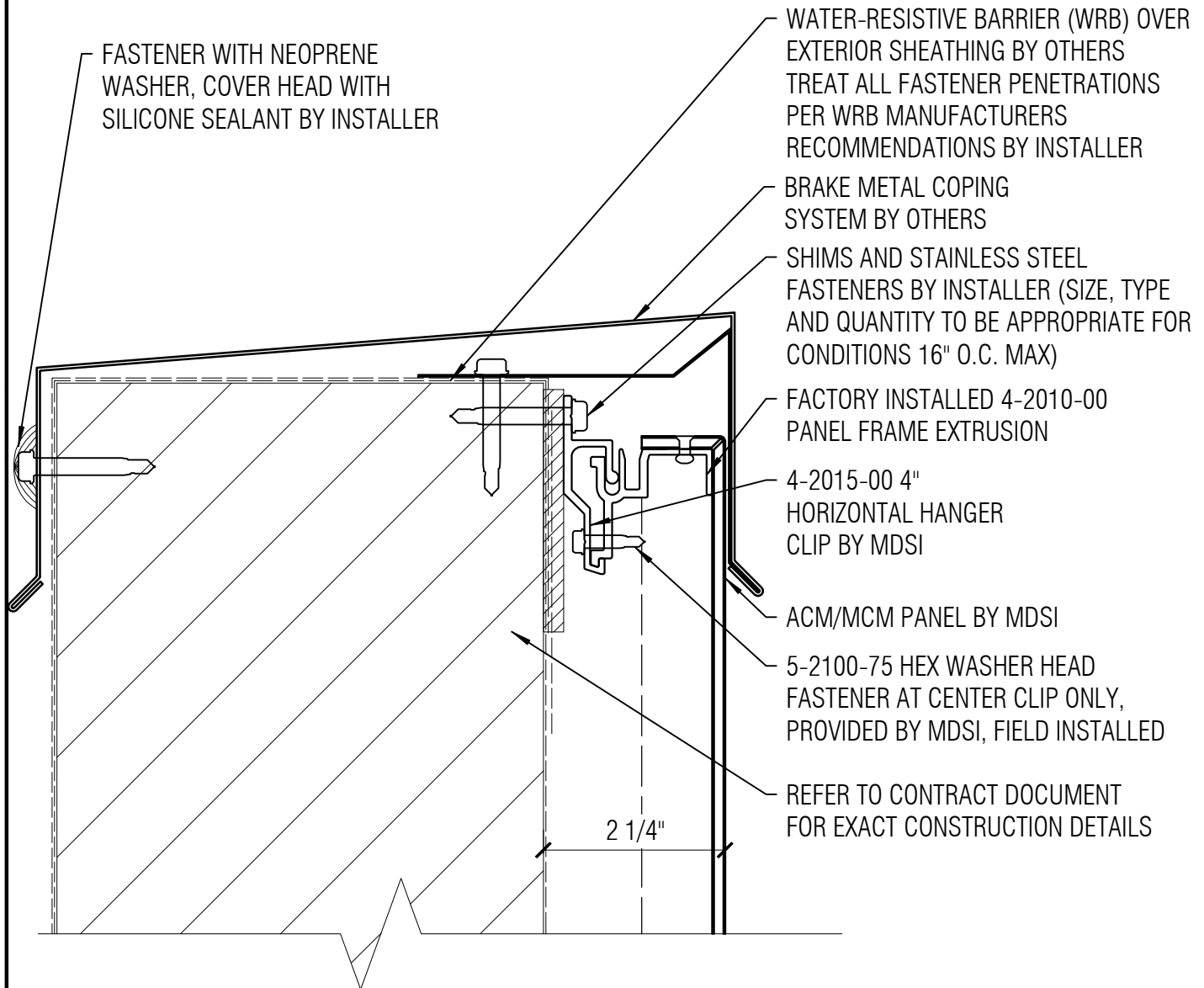
NOTE:
AIR/MOISTURE BARRIER INSTALLER MUST PROVIDE WEATHER TIGHT SEAL AT ALL BARRIER TERMINATIONS

<p>THE INFORMATION CONTAINED IN THIS DRAWING IS THE SOLE PROPERTY OF METAL DESIGN SYSTEMS INC.. ANY REPRODUCTION, IN PART OR WHOLE, WITHOUT THE WRITTEN PERMISSION OF METAL DESIGN SYSTEMS INC. IS PROHIBITED.</p>  <p>METAL DESIGN SYSTEMS DESIGNED FOR A PERFECT FIT</p>	<p>METAL DESIGN SYSTEMS</p>		<p>PROJECT: SERIES 20 DETAILS</p>			
	<p>4150 C Street S.W. Cedar Rapids, Ia. 52404 Ph. (319) 362-7454</p>		<p>DRAWING DESCRIPTION: WINDOW/DOOR JAMB DETAIL (STD.)</p>			
	<p>MATERIAL:</p>		<p>PROJECT NUMBER:</p>	<p>DRAWING NUMBER: S20-MCM-08A</p>	<p>DATE: 10/1/18</p>	
			<p>SCALE: 6" = 1'-0"</p>	<p>DRAWN BY: BSC</p>		

T:\Company Shared Folders\Tech\System Info\Series 20 rethink\Series 20 Rethink Details\New Series 20 for Rhino Details (website only not for modeling).3dm page 13 of 30 printed 8/29/2019 6:59 last saved 8/29/2019 6:58

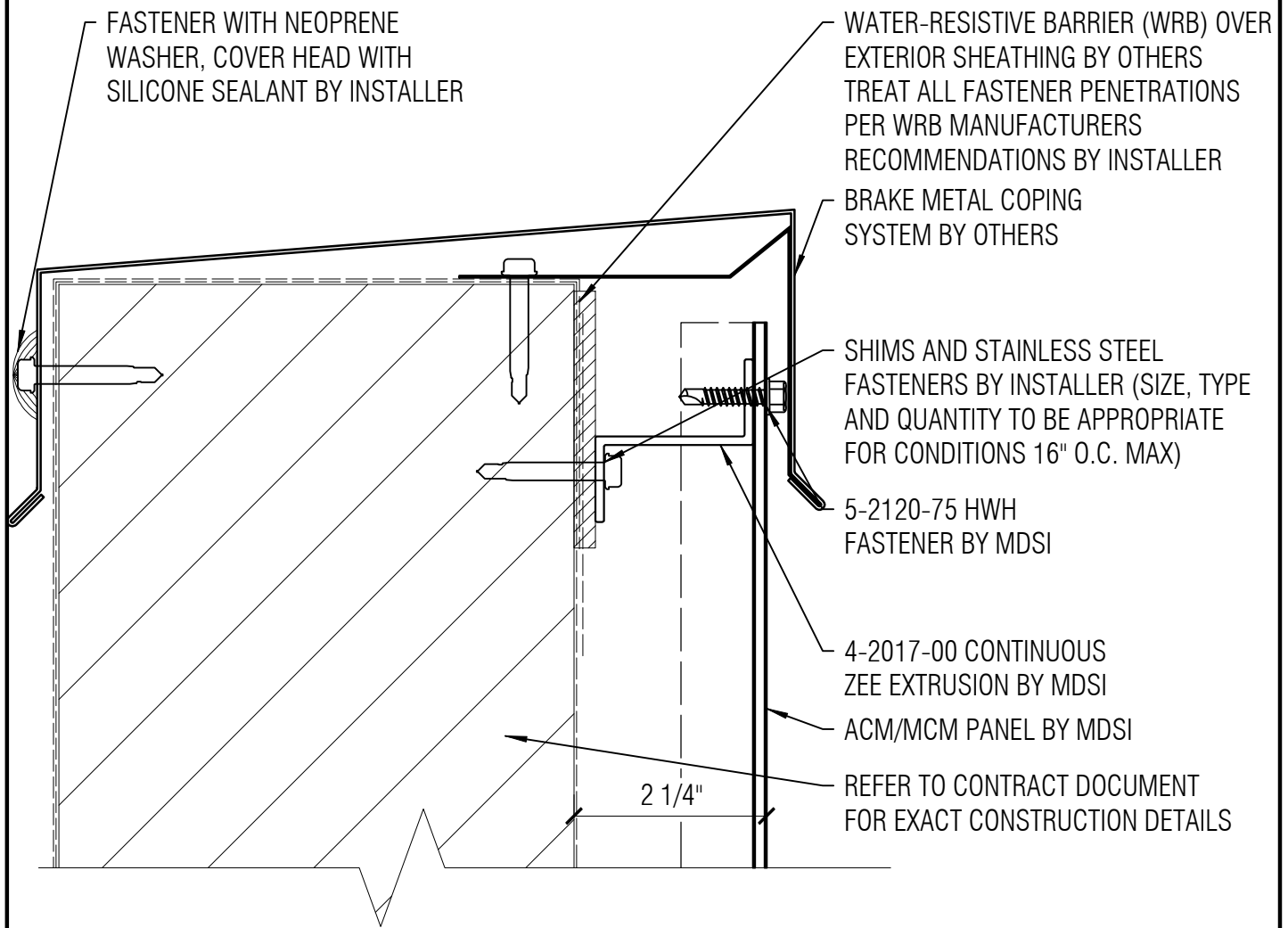


<p>THE INFORMATION CONTAINED IN THIS DRAWING IS THE SOLE PROPERTY OF METAL DESIGN SYSTEMS INC.. ANY REPRODUCTION, IN PART OR WHOLE, WITHOUT THE WRITTEN PERMISSION OF METAL DESIGN SYSTEMS INC. IS PROHIBITED.</p>  <p>METAL DESIGN SYSTEMS DESIGNED FOR A PERFECT FIT</p>	<p>METAL DESIGN SYSTEMS</p>		<p>PROJECT: SERIES 20 DETAILS</p>			
	<p>4150 C Street S.W. Cedar Rapids, Ia. 52404 Ph. (319) 362-7454</p>		<p>DRAWING DESCRIPTION: WINDOW/DOOR JAMB DETAIL (OPT.)</p>			
	<p>MATERIAL:</p>		<p>PROJECT NUMBER:</p>	<p>DRAWING NUMBER: S20-MCM-08B</p>	<p>DATE: 10/1/18</p>	
			<p>SCALE: 6" = 1'-0"</p>	<p>DRAWN BY: BSC</p>		



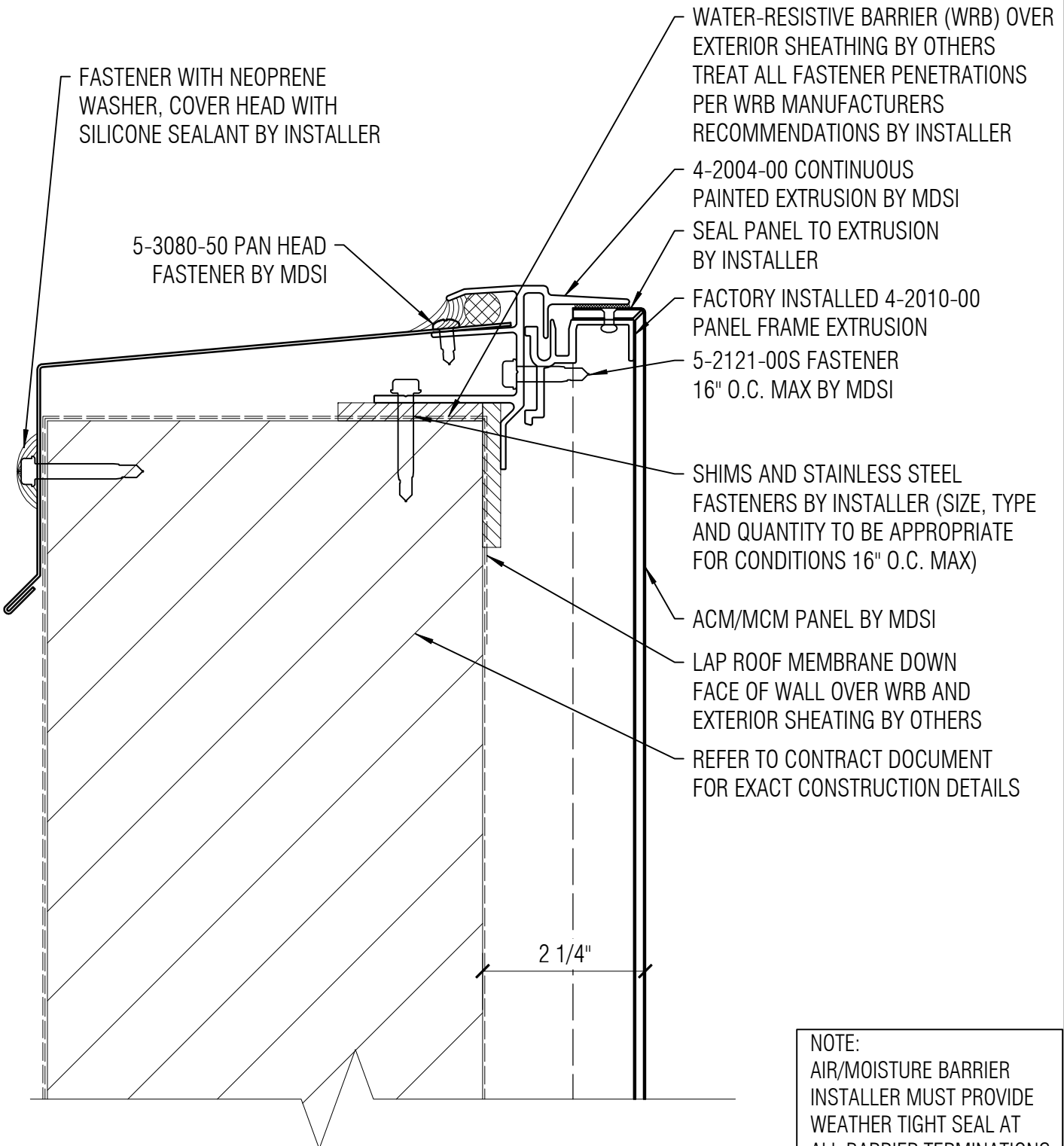
NOTE:
AIR/MOISTURE BARRIER
INSTALLER MUST PROVIDE
WEATHER TIGHT SEAL AT
ALL BARRIER TERMINATIONS

<p>THE INFORMATION CONTAINED IN THIS DRAWING IS THE SOLE PROPERTY OF METAL DESIGN SYSTEMS INC.. ANY REPRODUCTION, IN PART OR WHOLE, WITHOUT THE WRITTEN PERMISSION OF METAL DESIGN SYSTEMS INC. IS PROHIBITED.</p>  <p>METAL DESIGN SYSTEMS DESIGNED FOR A PERFECT FIT</p>	<p>METAL DESIGN SYSTEMS</p> <p>4150 C Street S.W. Cedar Rapids, Ia. 52404 Ph. (319) 362-7454</p>		<p>PROJECT: SERIES 20 DETAILS</p>		
	<p>MATERIAL:</p>		<p>DRAWING DESCRIPTION: BRAKE METAL COPING DETAIL (STD.)</p>		
			<p>PROJECT NUMBER:</p>	<p>DRAWING NUMBER: S20-MCM-09A</p>	<p>DATE: 10/1/18</p>
			<p>SCALE: 6" = 1'-0"</p>	<p>DRAWN BY: BSC</p>	




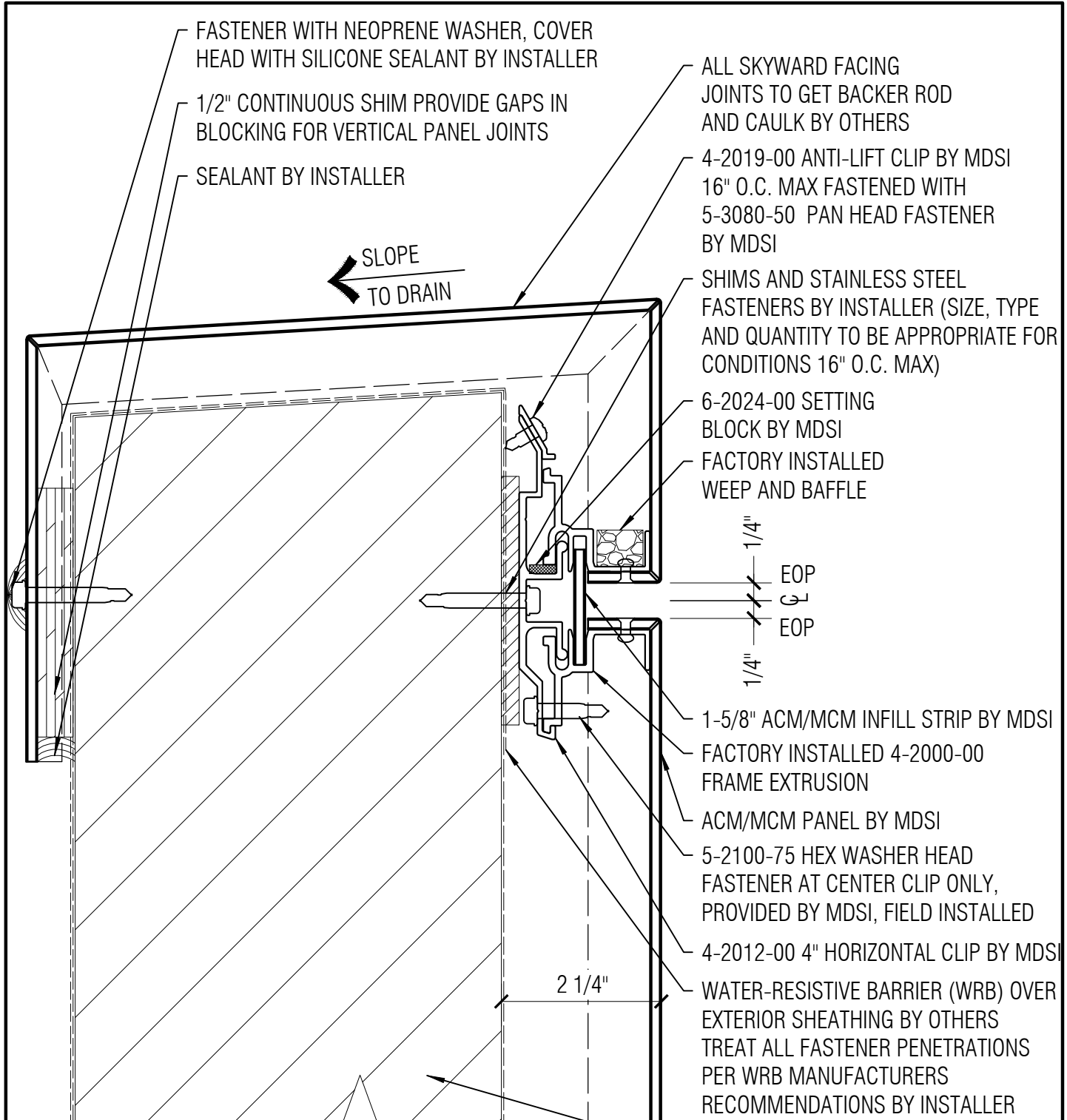
NOTE:
AIR/MOISTURE BARRIER
INSTALLER MUST PROVIDE
WEATHER TIGHT SEAL AT
ALL BARRIER TERMINATIONS

<p>THE INFORMATION CONTAINED IN THIS DRAWING IS THE SOLE PROPERTY OF METAL DESIGN SYSTEMS INC.. ANY REPRODUCTION, IN PART OR WHOLE, WITHOUT THE WRITTEN PERMISSION OF METAL DESIGN SYSTEMS INC. IS PROHIBITED.</p>  <p>METAL DESIGN SYSTEMS DESIGNED FOR A PERFECT FIT</p>	<p>METAL DESIGN SYSTEMS</p> <p>4150 C Street S.W. Cedar Rapids, Ia. 52404 Ph. (319) 362-7454</p>		<p>PROJECT: SERIES 20 DETAILS</p>			
	<p>DRAWING DESCRIPTION: BRAKE METAL COPING DETAIL (OPT.)</p>					
	<p>MATERIAL:</p>		<p>PROJECT NUMBER:</p>	<p>DRAWING NUMBER: S20-MCM-09B</p>	<p>DATE: 10/1/18</p>	
	<p>SCALE: 6" = 1'-0"</p>		<p>DRAWN BY: BSC</p>			



NOTE:
AIR/MOISTURE BARRIER
INSTALLER MUST PROVIDE
WEATHER TIGHT SEAL AT
ALL BARRIER TERMINATIONS

<p>THE INFORMATION CONTAINED IN THIS DRAWING IS THE SOLE PROPERTY OF METAL DESIGN SYSTEMS INC.. ANY REPRODUCTION, IN PART OR WHOLE, WITHOUT THE WRITTEN PERMISSION OF METAL DESIGN SYSTEMS INC. IS PROHIBITED.</p>  <p>METAL DESIGN SYSTEMS DESIGNED FOR A PERFECT FIT</p>	<p>METAL DESIGN SYSTEMS</p>		<p>PROJECT: SERIES 20 DETAILS</p>			
	<p>4150 C Street S.W. Cedar Rapids, Ia. 52404 Ph. (319) 362-7454</p>		<p>DRAWING DESCRIPTION: PARAPET EXTRUSION DETAIL (OPT.)</p>			
	<p>MATERIAL:</p>		<p>PROJECT NUMBER:</p>	<p>DRAWING NUMBER: S20-MCM-09C</p>	<p>DATE: 10/1/18</p>	
	<p>SCALE: 6" = 1'-0"</p>		<p>DRAWN BY: BSC</p>			



FASTENER WITH NEOPRENE WASHER, COVER HEAD WITH SILICONE SEALANT BY INSTALLER
 1/2" CONTINUOUS SHIM PROVIDE GAPS IN BLOCKING FOR VERTICAL PANEL JOINTS
 SEALANT BY INSTALLER

ALL SKYWARD FACING JOINTS TO GET BACKER ROD AND CAULK BY OTHERS
 4-2019-00 ANTI-LIFT CLIP BY MDSI 16" O.C. MAX FASTENED WITH 5-3080-50 PAN HEAD FASTENER BY MDSI
 SHIMS AND STAINLESS STEEL FASTENERS BY INSTALLER (SIZE, TYPE AND QUANTITY TO BE APPROPRIATE FOR CONDITIONS 16" O.C. MAX)
 6-2024-00 SETTING BLOCK BY MDSI
 FACTORY INSTALLED WEEP AND BAFFLE
 1/4" EOP
 1/4" EOP
 1-5/8" ACM/MCM INFILL STRIP BY MDSI
 FACTORY INSTALLED 4-2000-00 FRAME EXTRUSION
 ACM/MCM PANEL BY MDSI
 5-2100-75 HEX WASHER HEAD FASTENER AT CENTER CLIP ONLY, PROVIDED BY MDSI, FIELD INSTALLED
 4-2012-00 4" HORIZONTAL CLIP BY MDSI
 WATER-RESISTIVE BARRIER (WRB) OVER EXTERIOR SHEATHING BY OTHERS TREAT ALL FASTENER PENETRATIONS PER WRB MANUFACTURERS RECOMMENDATIONS BY INSTALLER

SLOPE TO DRAIN

2 1/4"

NOTE:
 AIR/MOISTURE BARRIER INSTALLER MUST PROVIDE WEATHER TIGHT SEAL AT ALL BARRIER TERMINATIONS

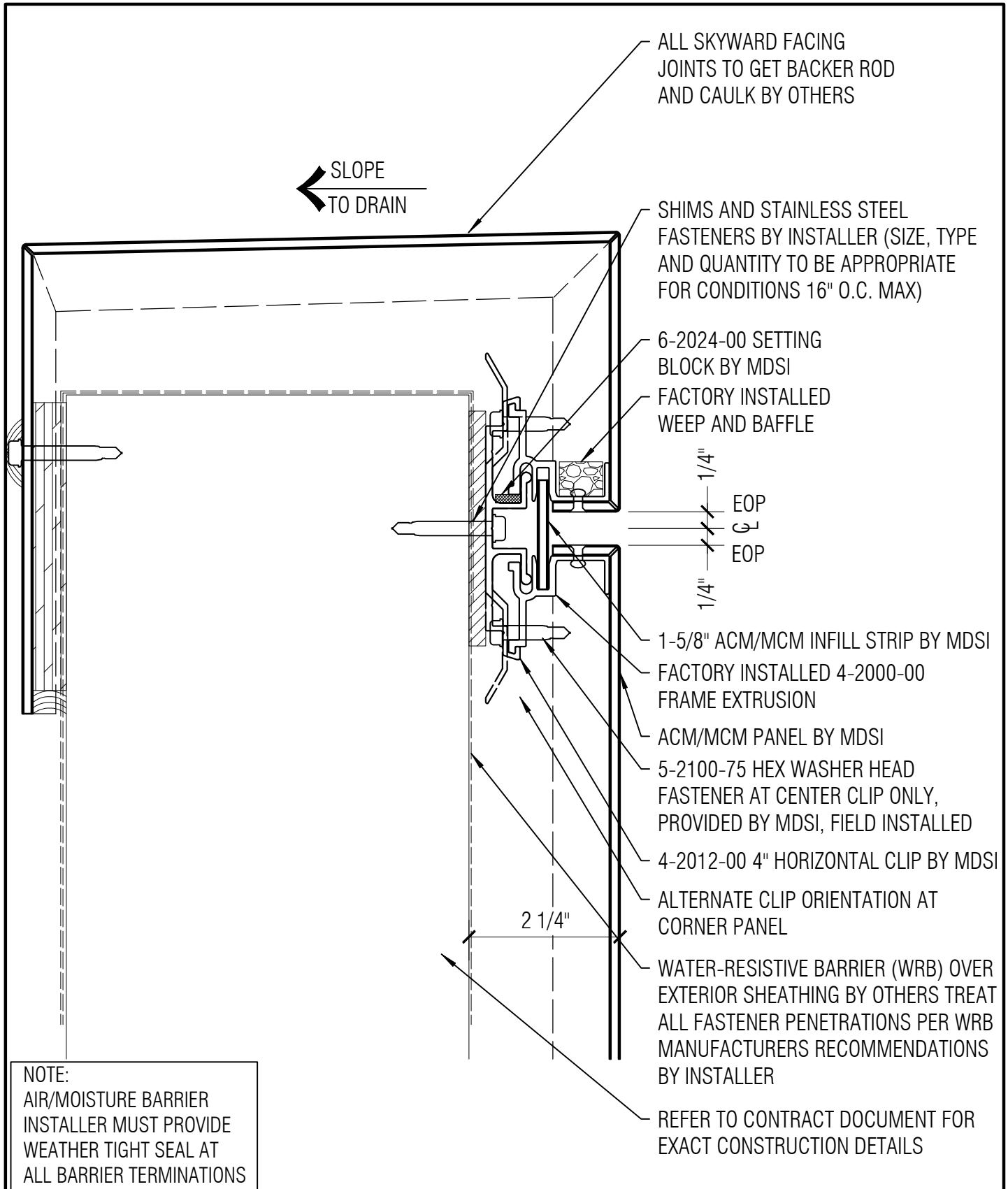
REFER TO CONTRACT DOCUMENT FOR EXACT CONSTRUCTION DETAILS

THE INFORMATION CONTAINED IN THIS DRAWING IS THE SOLE PROPERTY OF METAL DESIGN SYSTEMS INC.. ANY REPRODUCTION, IN PART OR WHOLE, WITHOUT THE WRITTEN PERMISSION OF METAL DESIGN SYSTEMS INC. IS PROHIBITED.



METAL DESIGN SYSTEMS
 4150 C Street S.W.
 Cedar Rapids, Ia. 52404
 Ph. (319) 362-7454
 MATERIAL:

PROJECT: SERIES 20 DETAILS		
DRAWING DESCRIPTION: ACM/MCM COPING DETAIL (STD.)		
PROJECT NUMBER:	DRAWING NUMBER: S20-MCM-10A	DATE: 10/1/18
SCALE: 6" = 1'-0"	DRAWN BY: BSC	



NOTE:
AIR/MOISTURE BARRIER
INSTALLER MUST PROVIDE
WEATHER TIGHT SEAL AT
ALL BARRIER TERMINATIONS

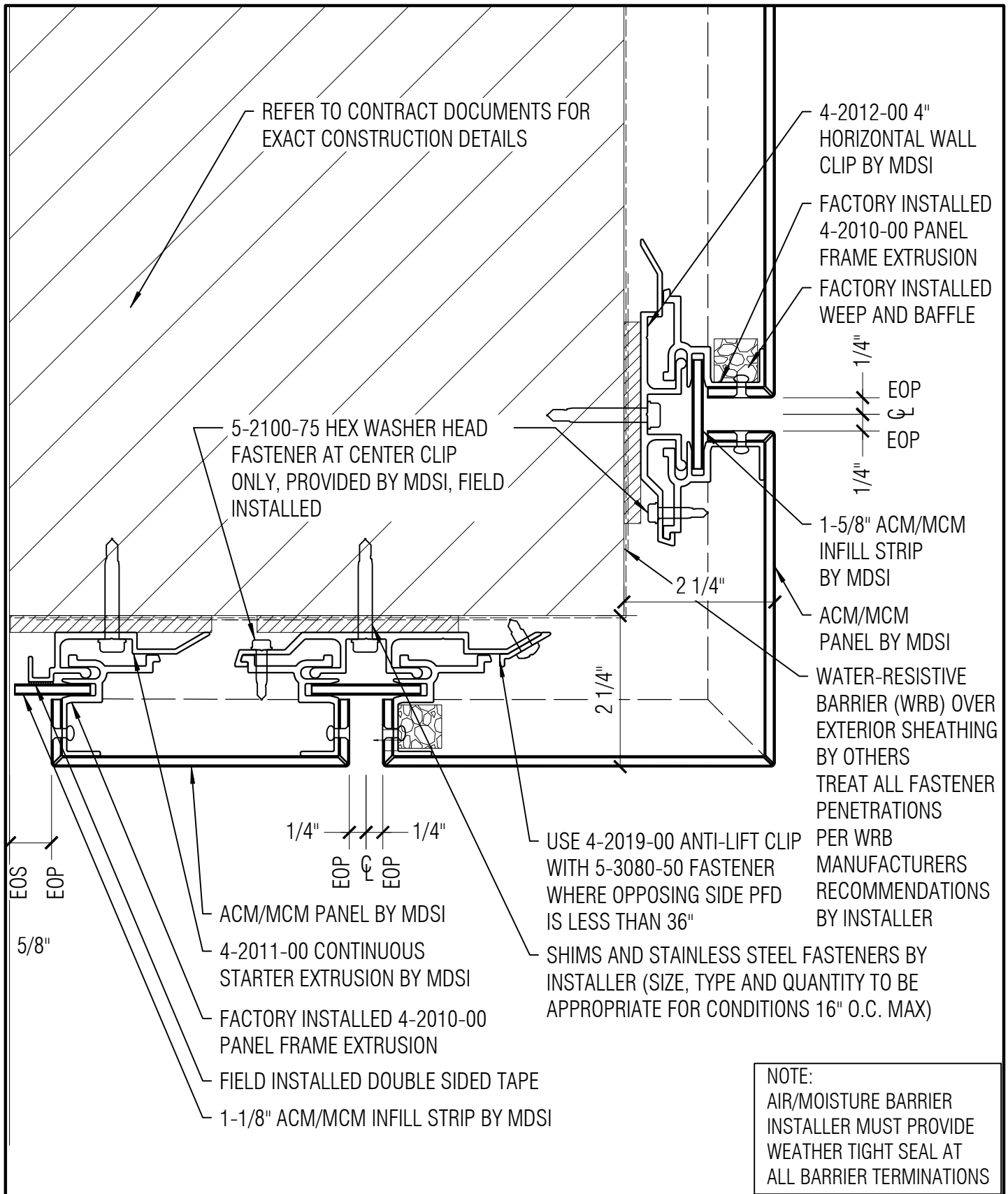
THE INFORMATION CONTAINED IN THIS DRAWING IS THE SOLE PROPERTY OF METAL DESIGN SYSTEMS INC.. ANY REPRODUCTION, IN PART OR WHOLE, WITHOUT THE WRITTEN PERMISSION OF METAL DESIGN SYSTEMS INC. IS PROHIBITED.




METAL DESIGN SYSTEMS
4150 C Street S.W.
Cedar Rapids, Ia. 52404
Ph. (319) 362-7454

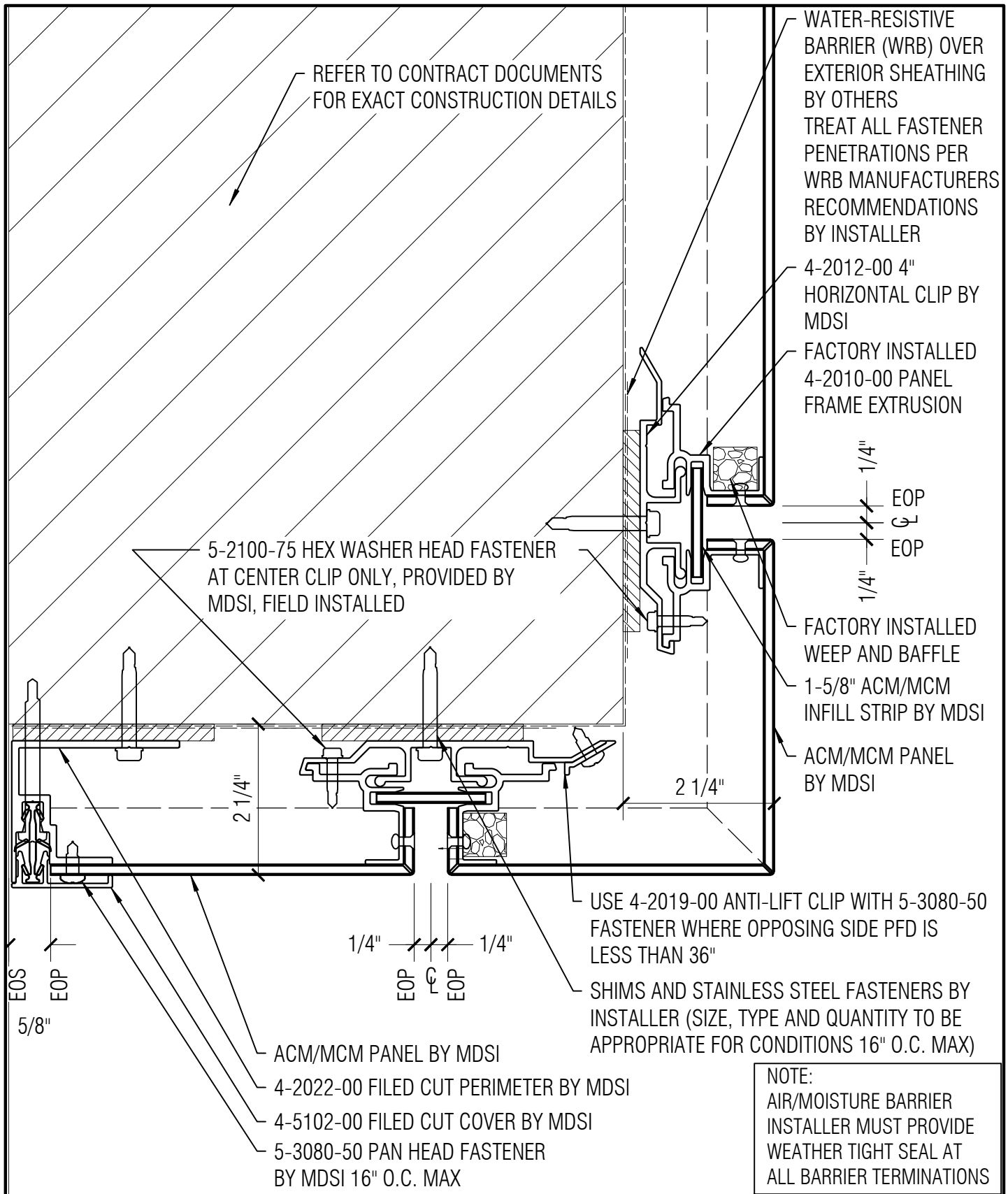
MATERIAL:


PROJECT: SERIES 20 DETAILS		
DRAWING DESCRIPTION: ACM/MCM COPING DETAIL (STD.)		
PROJECT NUMBER:	DRAWING NUMBER: S20-MCM-10B	DATE: 10/1/18
SCALE: 6" = 1'-0"	DRAWN BY: BSC	

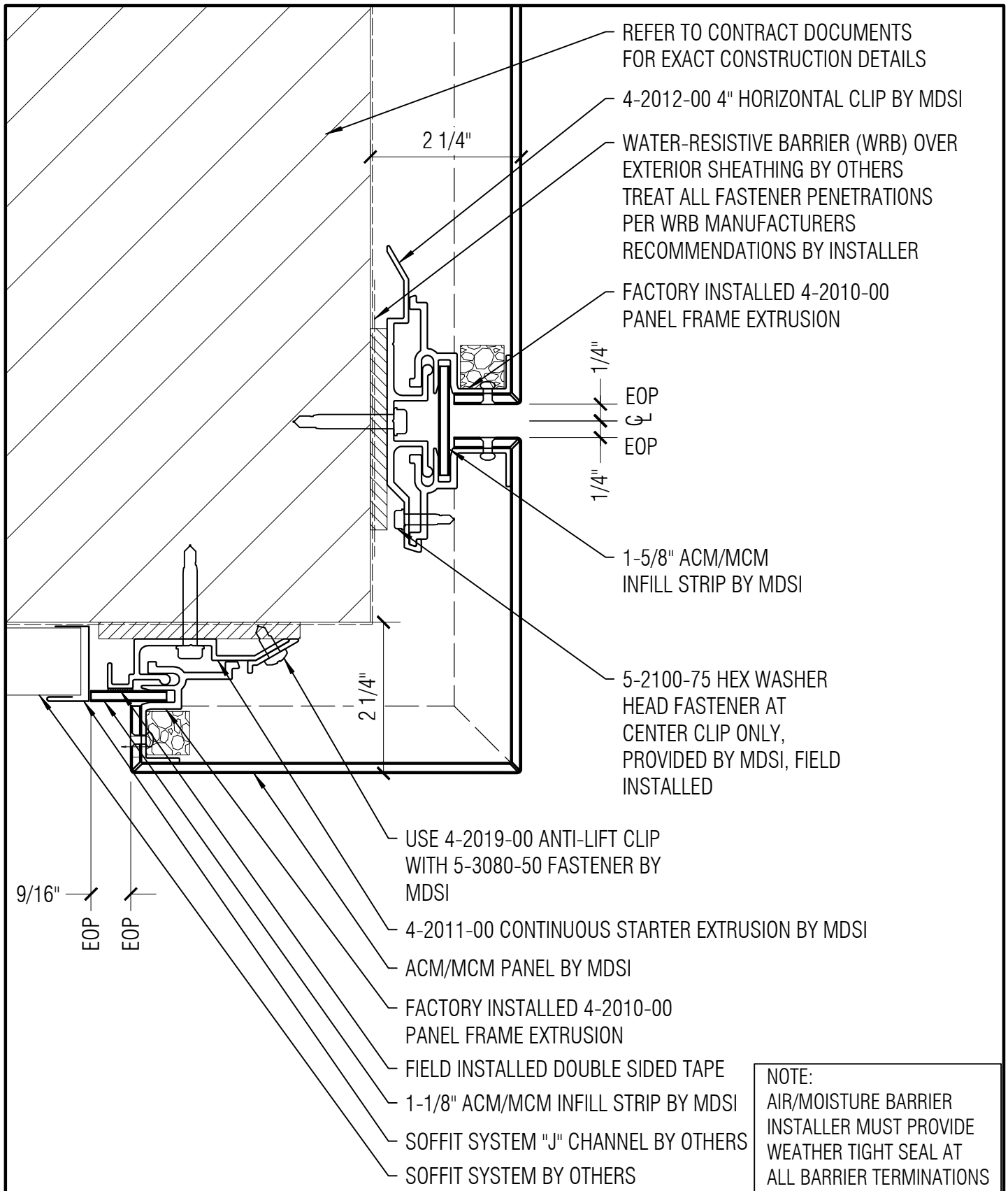


NOTE:
AIR/MOISTURE BARRIER
INSTALLER MUST PROVIDE
WEATHER TIGHT SEAL AT
ALL BARRIER TERMINATIONS


<p>THE INFORMATION CONTAINED IN THIS DRAWING IS THE SOLE PROPERTY OF METAL DESIGN SYSTEMS INC.. ANY REPRODUCTION, IN PART OR WHOLE, WITHOUT THE WRITTEN PERMISSION OF METAL DESIGN SYSTEMS INC. IS PROHIBITED.</p>  <p>METAL DESIGN SYSTEMS DESIGNED FOR A PERFECT FIT</p>	<p>METAL DESIGN SYSTEMS</p>		<p>PROJECT: SERIES 20 DETAILS</p>			
	<p>4150 C Street S.W. Cedar Rapids, Ia. 52404 Ph. (319) 362-7454</p>		<p>DRAWING DESCRIPTION: ACM/MCM SOFFIT CONNECTION DETAIL</p>			
	<p>MATERIAL:</p>		<p>PROJECT NUMBER:</p>	<p>DRAWING NUMBER: S20-MCM-11A</p>	<p>DATE: 10/1/18</p>	
			<p>SCALE: 6" = 1'-0"</p>	<p>DRAWN BY: BSC</p>		

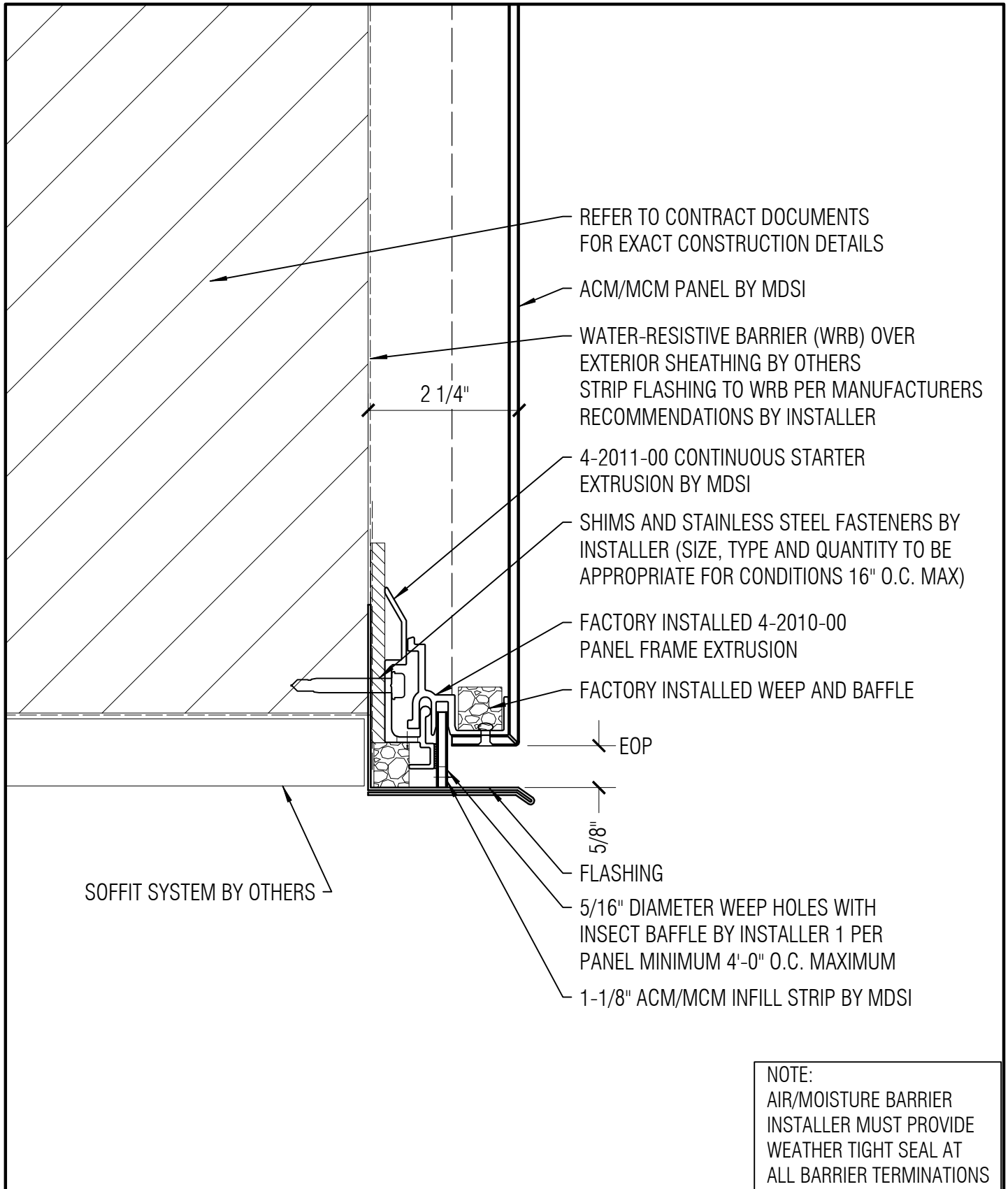


<p>THE INFORMATION CONTAINED IN THIS DRAWING IS THE SOLE PROPERTY OF METAL DESIGN SYSTEMS INC.. ANY REPRODUCTION, IN PART OR WHOLE, WITHOUT THE WRITTEN PERMISSION OF METAL DESIGN SYSTEMS INC. IS PROHIBITED.</p>  <p>METAL DESIGN SYSTEMS DESIGNED FOR A PERFECT FIT</p>	<p>METAL DESIGN SYSTEMS</p>		<p>PROJECT: SERIES 20 DETAILS</p>			
	<p>4150 C Street S.W. Cedar Rapids, Ia. 52404 Ph. (319) 362-7454</p>		<p>DRAWING DESCRIPTION: ACM/MCM SOFFIT CONNECTION DETAIL</p>			
	<p>MATERIAL:</p>		<p>PROJECT NUMBER:</p>	<p>DRAWING NUMBER: S20-MCM-11B</p>	<p>DATE: 10/1/18</p>	
			<p>SCALE: 6" = 1'-0"</p>	<p>DRAWN BY: BSC</p>		



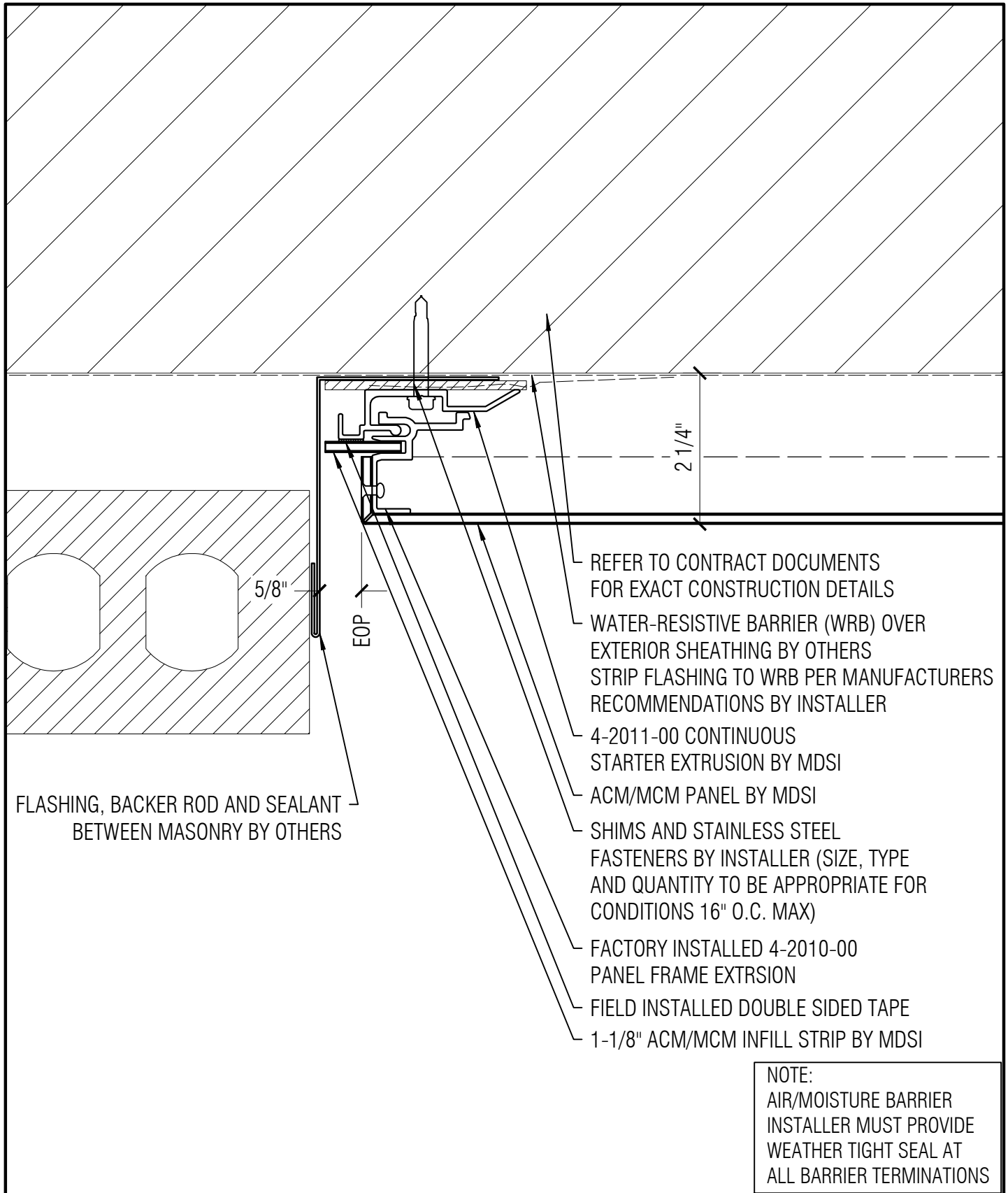
NOTE:
AIR/MOISTURE BARRIER
INSTALLER MUST PROVIDE
WEATHER TIGHT SEAL AT
ALL BARRIER TERMINATIONS

<p>THE INFORMATION CONTAINED IN THIS DRAWING IS THE SOLE PROPERTY OF METAL DESIGN SYSTEMS INC.. ANY REPRODUCTION, IN PART OR WHOLE, WITHOUT THE WRITTEN PERMISSION OF METAL DESIGN SYSTEMS INC. IS PROHIBITED.</p>  <p>METAL DESIGN SYSTEMS DESIGNED FOR A PERFECT FIT</p>	<p>METAL DESIGN SYSTEMS</p>		<p>PROJECT: SERIES 20 DETAILS</p>			
	<p>4150 C Street S.W. Cedar Rapids, Ia. 52404 Ph. (319) 362-7454</p>		<p>DRAWING DESCRIPTION: SOFFIT CONNECTION DETAIL (STD.)</p>			
	<p>MATERIAL:</p>		<p>PROJECT NUMBER:</p>	<p>DRAWING NUMBER: S20-MCM-12A</p>	<p>DATE: 10/1/18</p>	
			<p>SCALE: 6" = 1'-0"</p>	<p>DRAWN BY: BSC</p>		




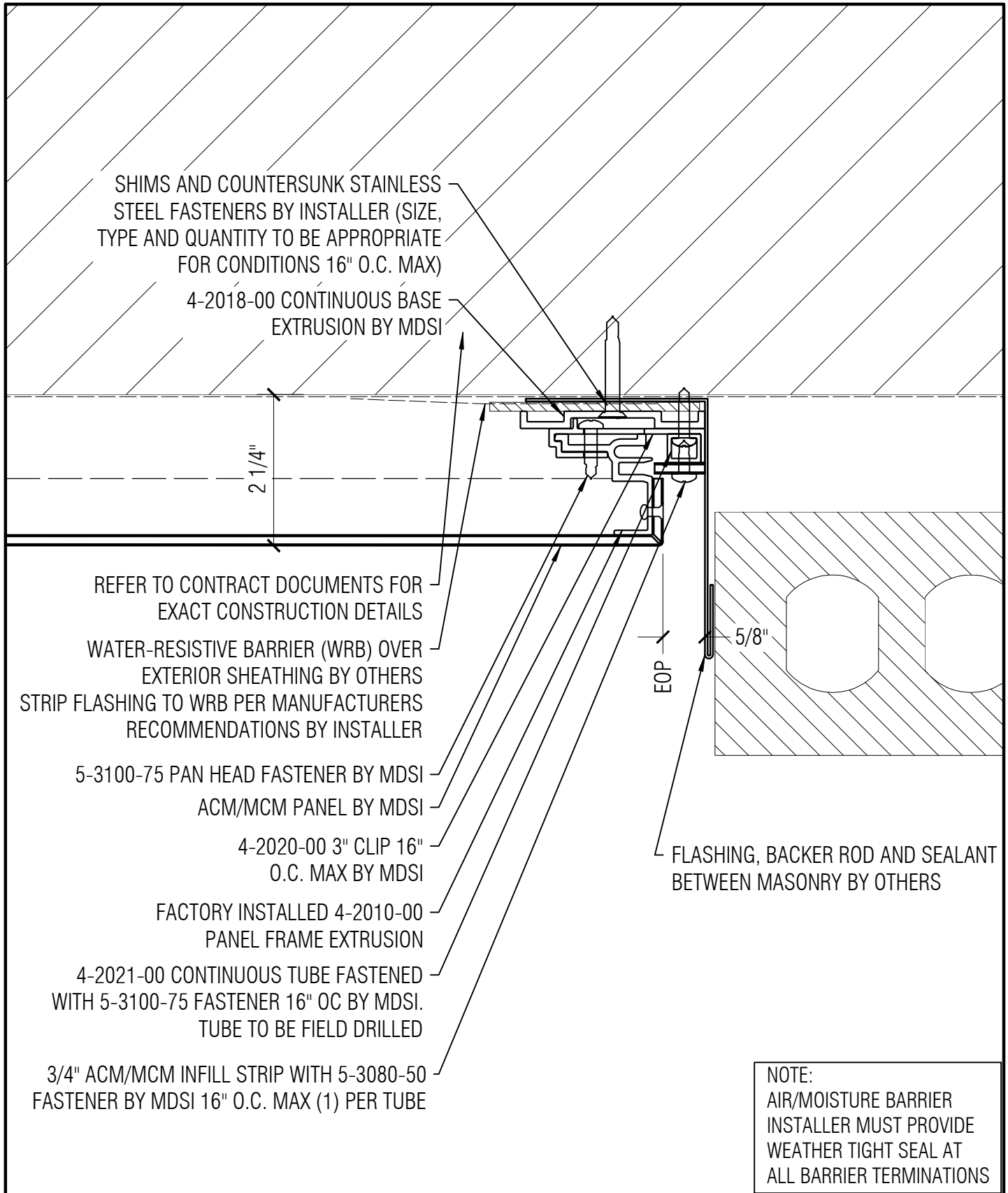
NOTE:
 AIR/MOISTURE BARRIER
 INSTALLER MUST PROVIDE
 WEATHER TIGHT SEAL AT
 ALL BARRIER TERMINATIONS


<p>THE INFORMATION CONTAINED IN THIS DRAWING IS THE SOLE PROPERTY OF METAL DESIGN SYSTEMS INC.. ANY REPRODUCTION, IN PART OR WHOLE, WITHOUT THE WRITTEN PERMISSION OF METAL DESIGN SYSTEMS INC. IS PROHIBITED.</p>  <p>METAL DESIGN SYSTEMS <small>DESIGNED FOR A PERFECT FIT</small></p>	<p>METAL DESIGN SYSTEMS</p>		<p>PROJECT: SERIES 20 DETAILS</p>			
	<p>4150 C Street S.W. Cedar Rapids, Ia. 52404 Ph. (319) 362-7454</p>		<p>DRAWING DESCRIPTION: SOFFIT CONNECTION DETAIL (STD.)</p>			
	<p>MATERIAL:</p>		<p>PROJECT NUMBER:</p>	<p>DRAWING NUMBER: S20-MCM-12B</p>	<p>DATE: 10/1/18</p>	
			<p>SCALE: 6" = 1'-0"</p>	<p>DRAWN BY: BSC</p>		

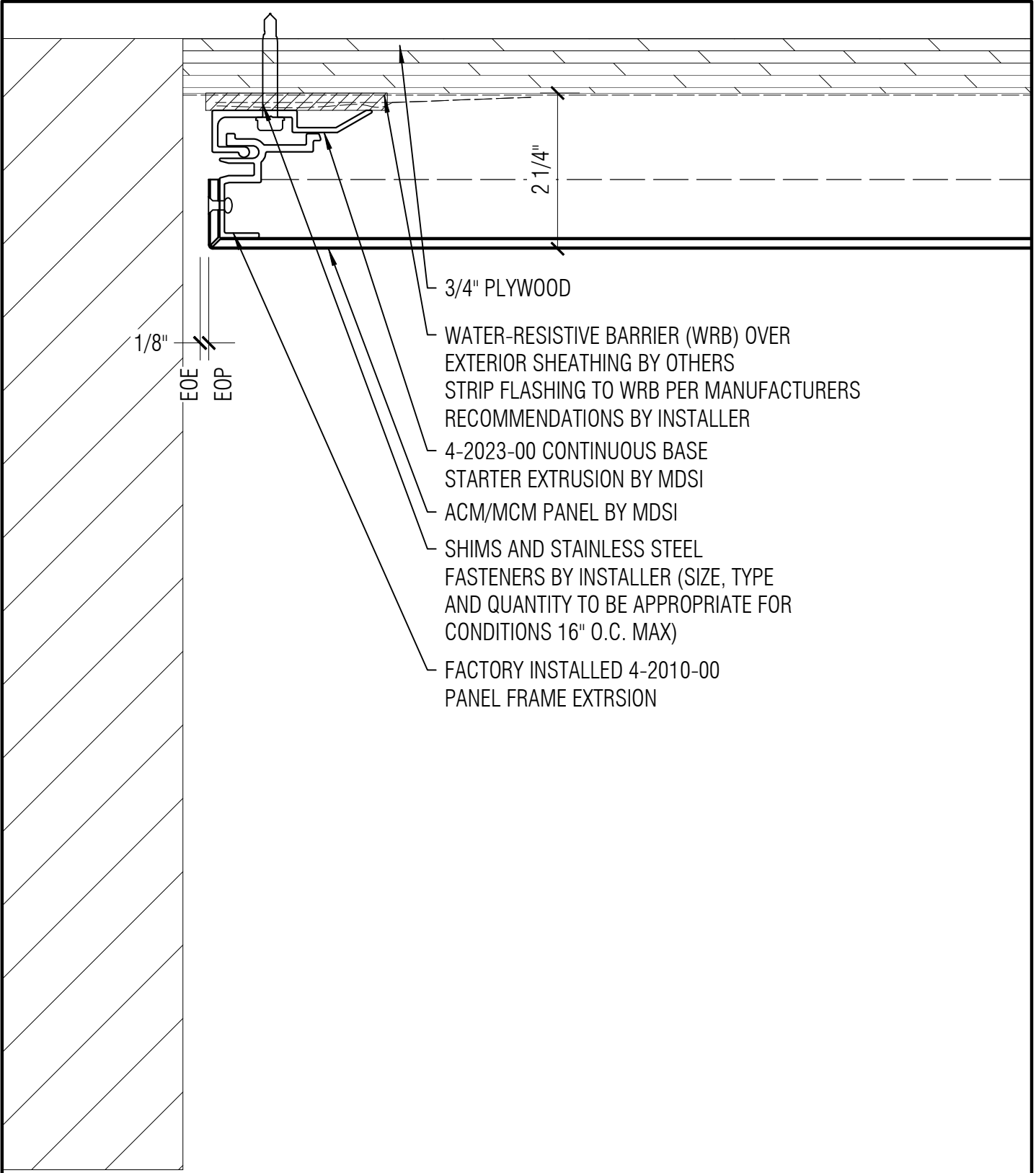


NOTE:
 AIR/MOISTURE BARRIER
 INSTALLER MUST PROVIDE
 WEATHER TIGHT SEAL AT
 ALL BARRIER TERMINATIONS

<p>THE INFORMATION CONTAINED IN THIS DRAWING IS THE SOLE PROPERTY OF METAL DESIGN SYSTEMS INC.. ANY REPRODUCTION, IN PART OR WHOLE, WITHOUT THE WRITTEN PERMISSION OF METAL DESIGN SYSTEMS INC. IS PROHIBITED.</p>  <p>METAL DESIGN SYSTEMS <small>DESIGNED FOR A PERFECT FIT</small></p>	<p>METAL DESIGN SYSTEMS</p>		<p>PROJECT: SERIES 20 DETAILS</p>			
	<p>4150 C Street S.W. Cedar Rapids, Ia. 52404 Ph. (319) 362-7454</p>		<p>DRAWING DESCRIPTION: PANEL TO MASONRY DETAIL (STD.)</p>			
	<p>MATERIAL:</p>		<p>PROJECT NUMBER:</p>	<p>DRAWING NUMBER: S20-MCM-13A</p>	<p>DATE: 10/1/18</p>	
			<p>SCALE: 6" = 1'-0"</p>	<p>DRAWN BY: BSC</p>		



<p>THE INFORMATION CONTAINED IN THIS DRAWING IS THE SOLE PROPERTY OF METAL DESIGN SYSTEMS INC.. ANY REPRODUCTION, IN PART OR WHOLE, WITHOUT THE WRITTEN PERMISSION OF METAL DESIGN SYSTEMS INC. IS PROHIBITED.</p>  <p>METAL DESIGN SYSTEMS DESIGNED FOR A PERFECT FIT</p>	<p>METAL DESIGN SYSTEMS</p>		<p>PROJECT: SERIES 20 DETAILS</p>			
	<p>4150 C Street S.W. Cedar Rapids, Ia. 52404 Ph. (319) 362-7454</p>		<p>DRAWING DESCRIPTION: PANEL TO MASONRY DETAIL (OPT.)</p>			
	<p>MATERIAL:</p>		<p>PROJECT NUMBER:</p>	<p>DRAWING NUMBER: S20-MCM-13B</p>	<p>DATE: 10/1/18</p>	
			<p>SCALE: 6" = 1'-0"</p>	<p>DRAWN BY: BSC</p>		



3/4" PLYWOOD

WATER-RESISTIVE BARRIER (WRB) OVER EXTERIOR SHEATHING BY OTHERS
STRIP FLASHING TO WRB PER MANUFACTURERS RECOMMENDATIONS BY INSTALLER

4-2023-00 CONTINUOUS BASE STARTER EXTRUSION BY MDSI

ACM/MCM PANEL BY MDSI

SHIMS AND STAINLESS STEEL FASTENERS BY INSTALLER (SIZE, TYPE AND QUANTITY TO BE APPROPRIATE FOR CONDITIONS 16" O.C. MAX)

FACTORY INSTALLED 4-2010-00 PANEL FRAME EXTRUSION

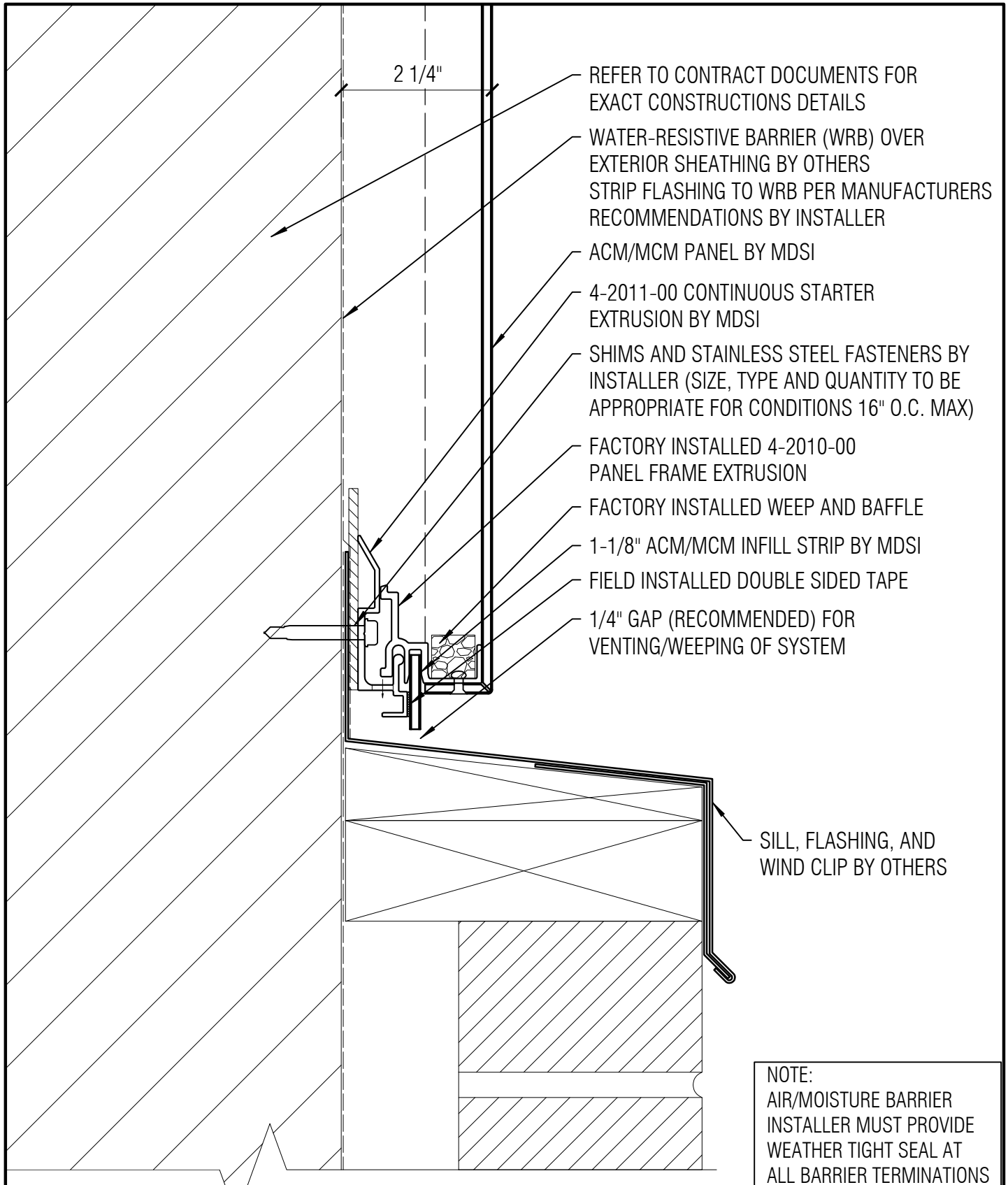
THE INFORMATION CONTAINED IN THIS DRAWING IS THE SOLE PROPERTY OF METAL DESIGN SYSTEMS INC.. ANY REPRODUCTION, IN PART OR WHOLE, WITHOUT THE WRITTEN PERMISSION OF METAL DESIGN SYSTEMS INC. IS PROHIBITED.



METAL DESIGN SYSTEMS
4150 C Street S.W.
Cedar Rapids, Ia. 52404
Ph. (319) 362-7454
MATERIAL:

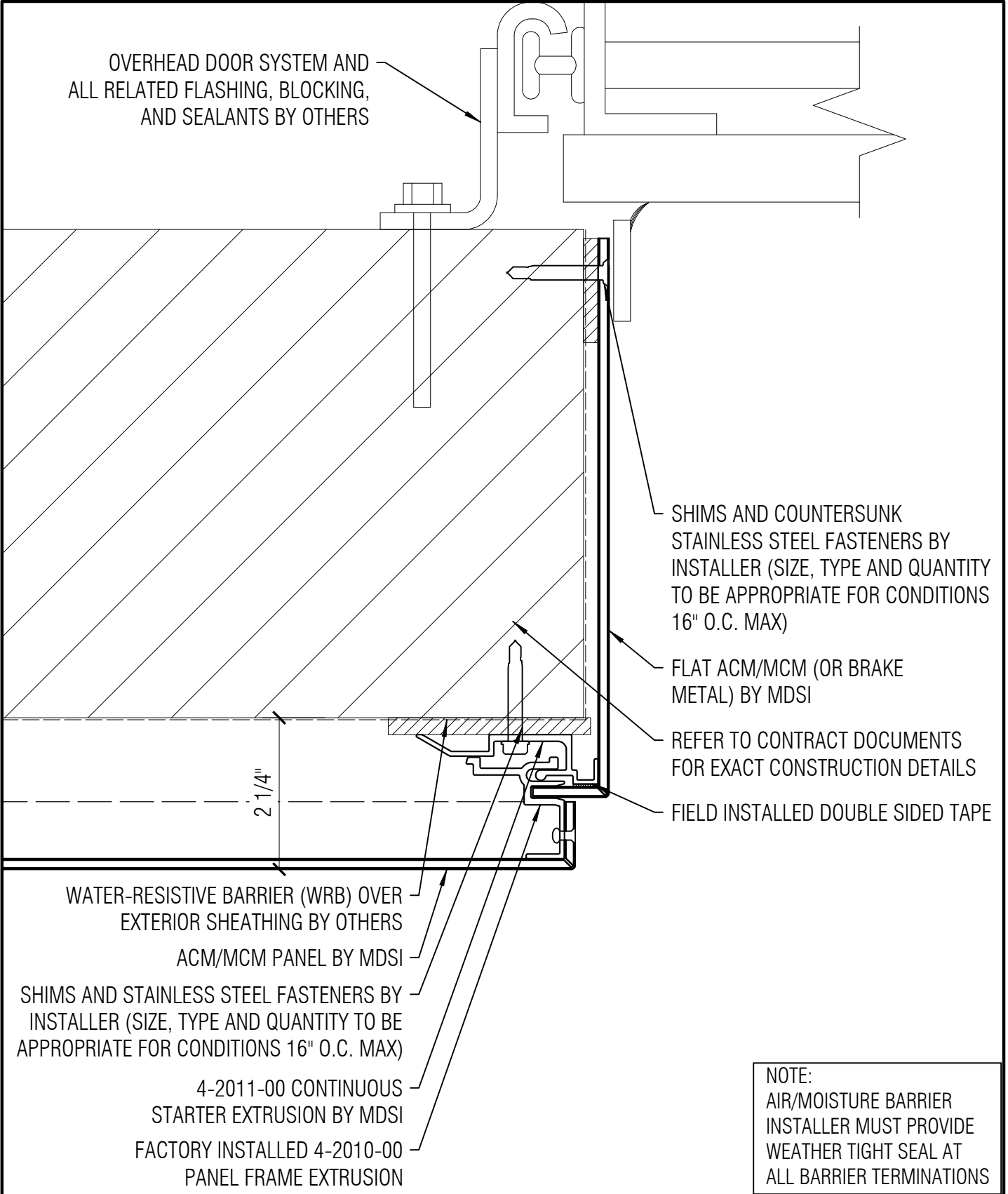
PROJECT: SERIES 20 DETAILS		
DRAWING DESCRIPTION: WALL TERMINATION		
PROJECT NUMBER:	DRAWING NUMBER: S20-MCM-14	DATE: 10/1/18
SCALE: 6" = 1'-0"	DRAWN BY: BSC	

T:\Company Shared Folders\Tech\System Info\Series 20 rethink\Series 20 Rethink Details\New Series 20 for Rhino Details (website only not for modeling).3dm page 26 of 30 printed 8/29/2019 6:59 last saved 8/29/2019 6:58



<p>THE INFORMATION CONTAINED IN THIS DRAWING IS THE SOLE PROPERTY OF METAL DESIGN SYSTEMS INC.. ANY REPRODUCTION, IN PART OR WHOLE, WITHOUT THE WRITTEN PERMISSION OF METAL DESIGN SYSTEMS INC. IS PROHIBITED.</p>  <p>METAL DESIGN SYSTEMS DESIGNED FOR A PERFECT FIT</p>	<p>METAL DESIGN SYSTEMS</p>		<p>PROJECT: SERIES 20 DETAILS</p>			
	<p>4150 C Street S.W. Cedar Rapids, Ia. 52404 Ph. (319) 362-7454</p>		<p>DRAWING DESCRIPTION: MASONRY SILL DETAIL (STD.)</p>			
	<p>MATERIAL:</p>		<p>PROJECT NUMBER:</p>	<p>DRAWING NUMBER: S20-MCM-15</p>	<p>DATE: 10/1/18</p>	
			<p>SCALE: 6" = 1'-0"</p>	<p>DRAWN BY: BSC</p>		

T:\Company Shared Folders\Tech\System Info\Series 20 rethink\Series 20 Rethink Details\New Series 20 for Rhino Details (website only not for modeling).3dm page 27 of 30 printed 8/29/2019 6:59 last saved 8/29/2019 6:58



OVERHEAD DOOR SYSTEM AND ALL RELATED FLASHING, BLOCKING, AND SEALANTS BY OTHERS

SHIMS AND COUNTERSUNK STAINLESS STEEL FASTENERS BY INSTALLER (SIZE, TYPE AND QUANTITY TO BE APPROPRIATE FOR CONDITIONS 16" O.C. MAX)

FLAT ACM/MCM (OR BRAKE METAL) BY MDSI

REFER TO CONTRACT DOCUMENTS FOR EXACT CONSTRUCTION DETAILS

FIELD INSTALLED DOUBLE SIDED TAPE

2 1/4"

WATER-RESISTIVE BARRIER (WRB) OVER EXTERIOR SHEATHING BY OTHERS


ACM/MCM PANEL BY MDSI

SHIMS AND STAINLESS STEEL FASTENERS BY INSTALLER (SIZE, TYPE AND QUANTITY TO BE APPROPRIATE FOR CONDITIONS 16" O.C. MAX)

4-2011-00 CONTINUOUS STARTER EXTRUSION BY MDSI

FACTORY INSTALLED 4-2010-00 PANEL FRAME EXTRUSION

NOTE:
AIR/MOISTURE BARRIER
INSTALLER MUST PROVIDE
WEATHER TIGHT SEAL AT
ALL BARRIER TERMINATIONS

<p>THE INFORMATION CONTAINED IN THIS DRAWING IS THE SOLE PROPERTY OF METAL DESIGN SYSTEMS INC.. ANY REPRODUCTION, IN PART OR WHOLE, WITHOUT THE WRITTEN PERMISSION OF METAL DESIGN SYSTEMS INC. IS PROHIBITED.</p>  <p>METAL DESIGN SYSTEMS DESIGNED FOR A PERFECT FIT</p>	<p>METAL DESIGN SYSTEMS</p> <p>4150 C Street S.W. Cedar Rapids, Ia. 52404 Ph. (319) 362-7454</p>		<p>PROJECT: SERIES 20 DETAILS</p>		
	<p>MATERIAL:</p>		<p>DRAWING DESCRIPTION: OVERHEAD DOOR JAMB DETAIL (TYP.)</p>		
			<p>PROJECT NUMBER:</p>	<p>DRAWING NUMBER: S20-MCM-16</p>	<p>DATE: 10/1/18</p>
			<p>SCALE: 6" = 1'-0"</p>	<p>DRAWN BY: BSC</p>	

T:\Company Shared Folders\Tech\System Info\Series 20 rethink\Series 20 Rethink Details\New Series 20 for Rhino Details (website only not for modeling).3dm page 28 of 30 printed 8/29/2019 6:59 last saved 8/29/2019 6:58

FACTORY INSTALLED 4-2010-00
PANEL FRAME EXTRUSION

ACM/MCM PANEL BY MDSI

ROOF MEMBRANE OVER
WATER-RESISTIVE BARRIER
(WRB) OVER EXTERIOR
SHEATHING BY OTHERS
TREAT ALL FASTENER
PENETRATIONS PER WRB
MANUFACTURERS
RECOMMENDATIONS BY
INSTALLER

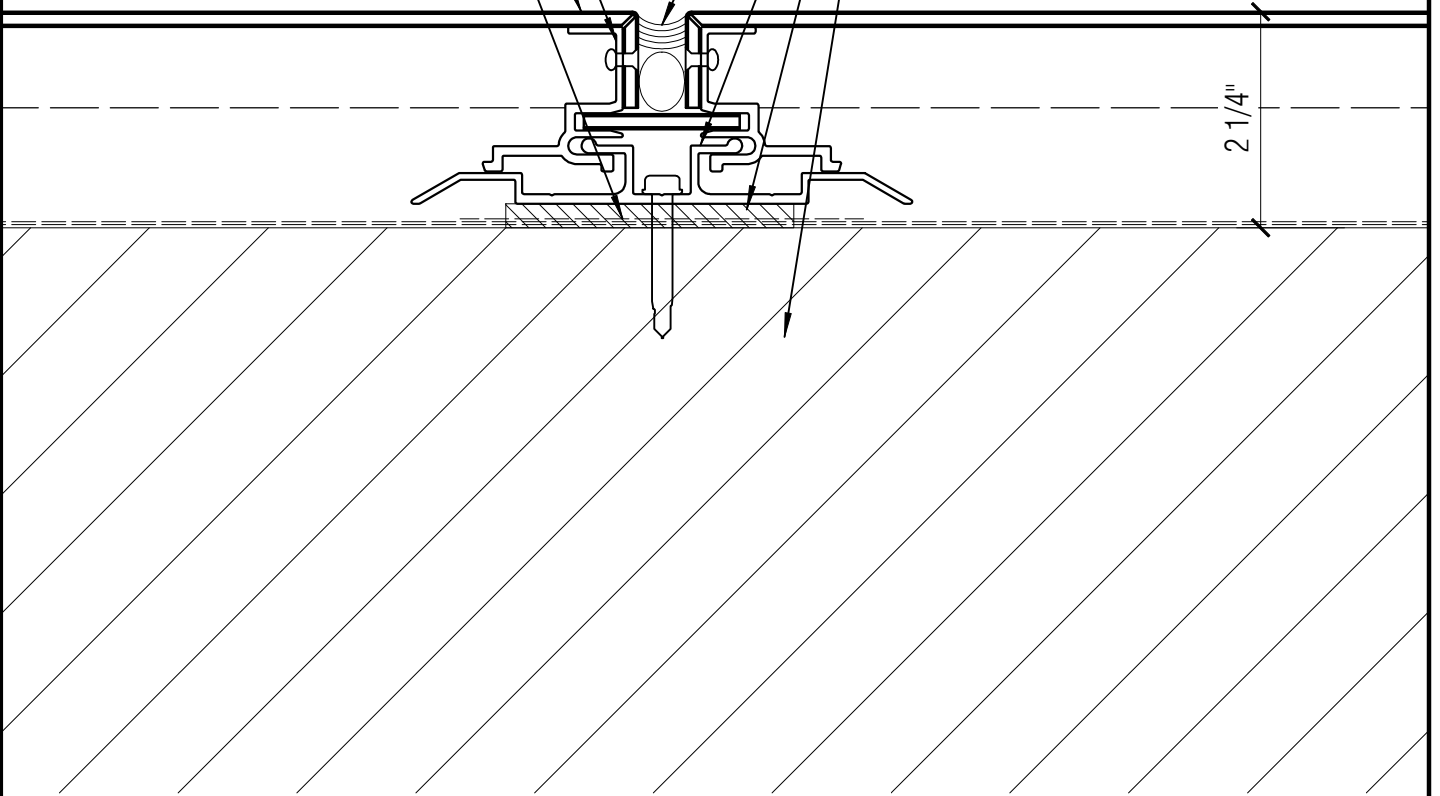
EOP EOP
1/4" 1/4"

INSTALLER TO PROVIDE
SEALANT AND BACKER ROD
OVER ACM/MCM INFILL STRIP


4-2013-00 4" VERTICAL CLIP BY MDSI

SHIMS AND STAINLESS STEEL FASTENERS BY
INSTALLER (SIZE, TYPE AND QUANTITY TO BE
APPROPRIATE FOR CONDITIONS 16" O.C. MAX)

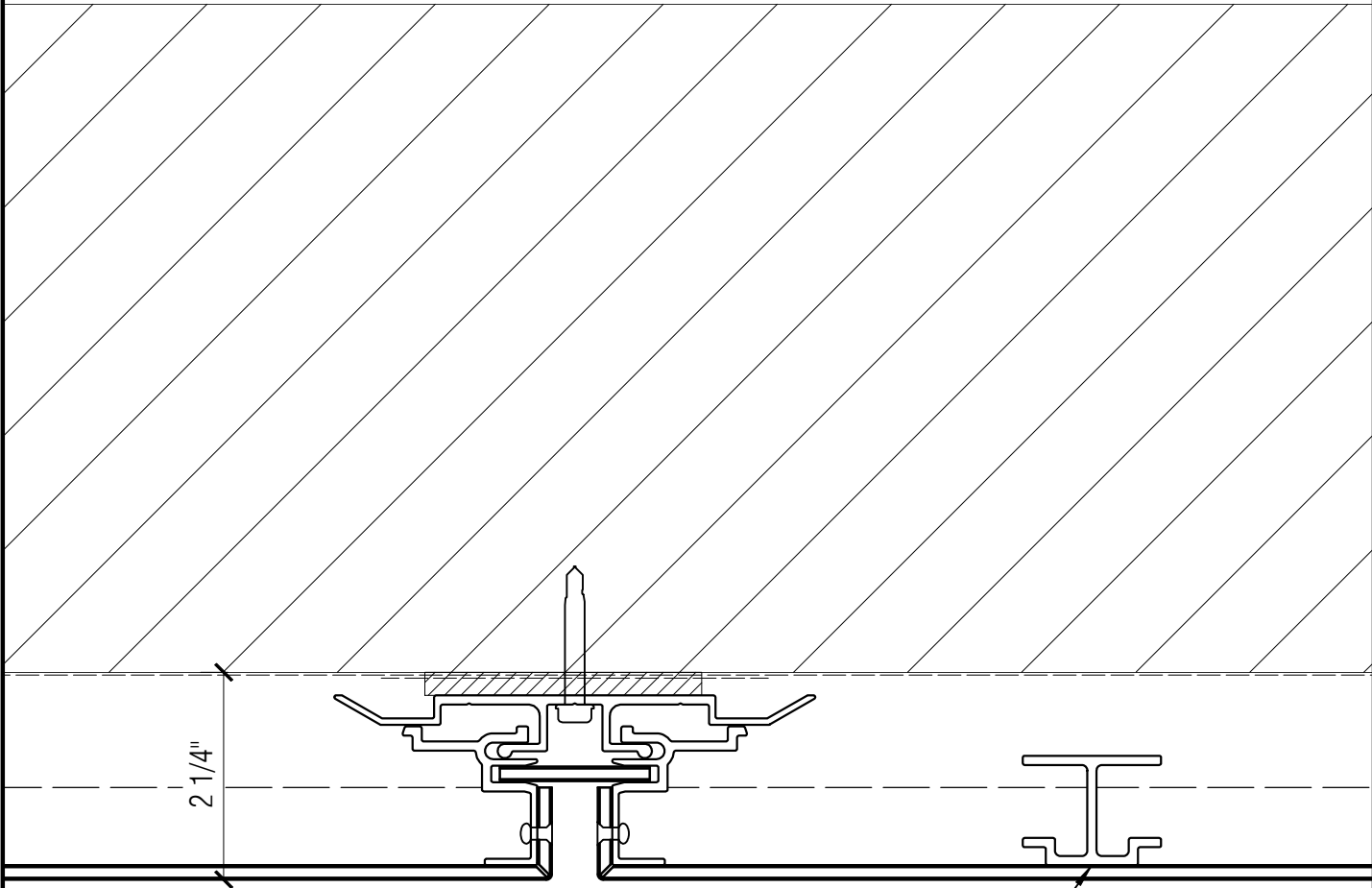
REFER TO CONTRACT DOCUMENTS FOR
EXACT CONSTRUCTIONS DETAILS




NOTE:
AIR/MOISTURE BARRIER
INSTALLER MUST PROVIDE
WEATHER TIGHT SEAL AT
ALL BARRIER TERMINATIONS

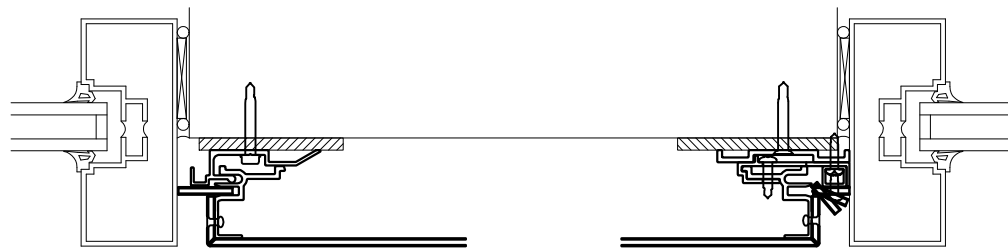
<p>THE INFORMATION CONTAINED IN THIS DRAWING IS THE SOLE PROPERTY OF METAL DESIGN SYSTEMS INC.. ANY REPRODUCTION, IN PART OR WHOLE, WITHOUT THE WRITTEN PERMISSION OF METAL DESIGN SYSTEMS INC. IS PROHIBITED.</p>  <p>METAL DESIGN SYSTEMS DESIGNED FOR A PERFECT FIT</p>	<p>METAL DESIGN SYSTEMS</p> <p>4150 C Street S.W. Cedar Rapids, Ia. 52404 Ph. (319) 362-7454</p>		<p>PROJECT: SERIES 20 DETAILS</p>		
	<p>MATERIAL:</p>		<p>DRAWING DESCRIPTION: SKYWARD FACING JOINT</p>		
			<p>PROJECT NUMBER:</p>	<p>DRAWING NUMBER: S20-MCM-17</p>	<p>DATE: 10/1/18</p>
			<p>SCALE: 6" = 1'-0"</p>	<p>DRAWN BY: BSC</p>	

T:\Company Shared Folders\Tech\System Info\Series 20 rethink\Series 20 Rethink Details\New Series 20 for Rhino Details (website only not for modeling).3dm page 29 of 30 printed 8/29/2019 6:59 last saved 8/29/2019 6:58



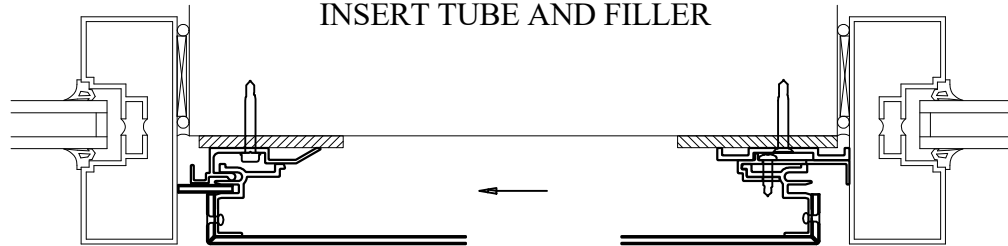
4-2016-00 FACTORY ADHERED
PANEL STIFFENER

<p>THE INFORMATION CONTAINED IN THIS DRAWING IS THE SOLE PROPERTY OF METAL DESIGN SYSTEMS INC.. ANY REPRODUCTION, IN PART OR WHOLE, WITHOUT THE WRITTEN PERMISSION OF METAL DESIGN SYSTEMS INC. IS PROHIBITED.</p>  <p>METAL DESIGN SYSTEMS DESIGNED FOR A PERFECT FIT</p>	<p>METAL DESIGN SYSTEMS</p>		<p>PROJECT: SERIES 20 DETAILS</p>			
	<p>4150 C Street S.W. Cedar Rapids, Ia. 52404 Ph. (319) 362-7454</p>		<p>DRAWING DESCRIPTION: VERTICAL PANEL JOINT DETAIL (TYP.)</p>			
	<p>MATERIAL:</p>		<p>PROJECT NUMBER:</p>	<p>DRAWING NUMBER: S20-MCM-18</p>	<p>DATE: 10/1/18</p>	
			<p>SCALE: 6" = 1'-0"</p>	<p>DRAWN BY: BSC</p>		



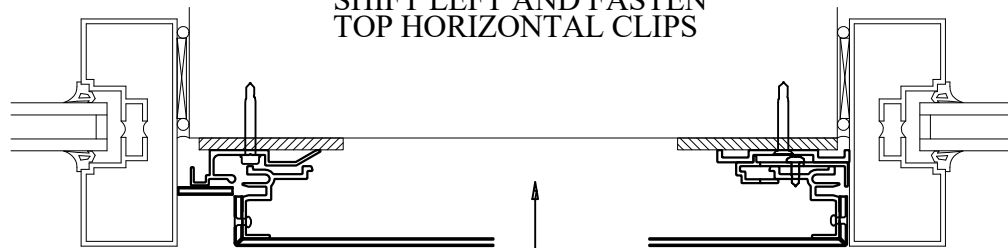
Step 4

INSERT TUBE AND FILLER



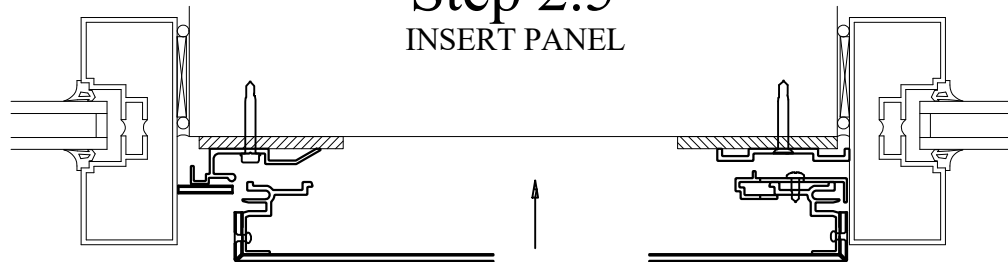
Step 3

SHIFT LEFT AND FASTEN
TOP HORIZONTAL CLIPS



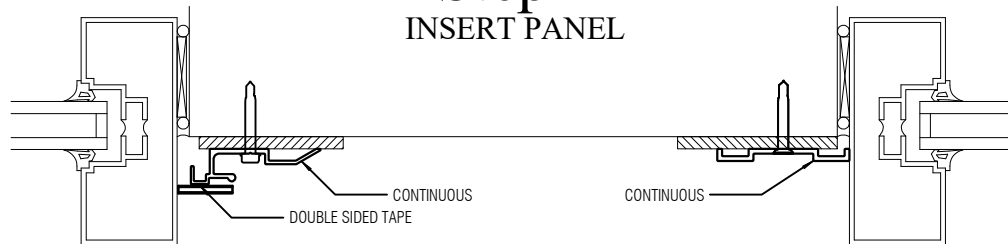
Step 2.5

INSERT PANEL



Step 2

INSERT PANEL



Step 1

SET PERIMETER EXTRUSIONS AND LEFT FILLER

THE INFORMATION CONTAINED IN THIS DRAWING IS THE SOLE PROPERTY OF METAL DESIGN SYSTEMS INC.. ANY REPRODUCTION, IN PART OR WHOLE, WITHOUT THE WRITTEN PERMISSION OF METAL DESIGN SYSTEMS INC. IS PROHIBITED.



METAL DESIGN SYSTEMS

4150 C Street S.W.
Cedar Rapids, Ia. 52404
Ph. (319) 362-7454

MATERIAL:

PROJECT:
SERIES 20 DETAILS

DRAWING DESCRIPTION:
LOCKOUT INSTALLATION STEPS

PROJECT NUMBER:	DRAWING NUMBER: S20-MCM	DATE: 10/1/18
-----------------	----------------------------	------------------

SCALE: 6" = 1'-0"	DRAWN BY: BSC
----------------------	------------------