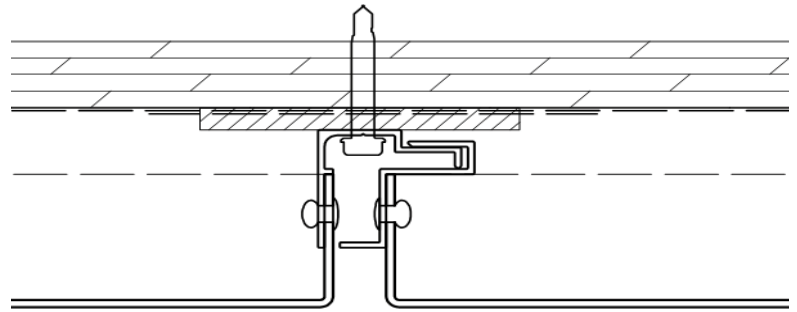
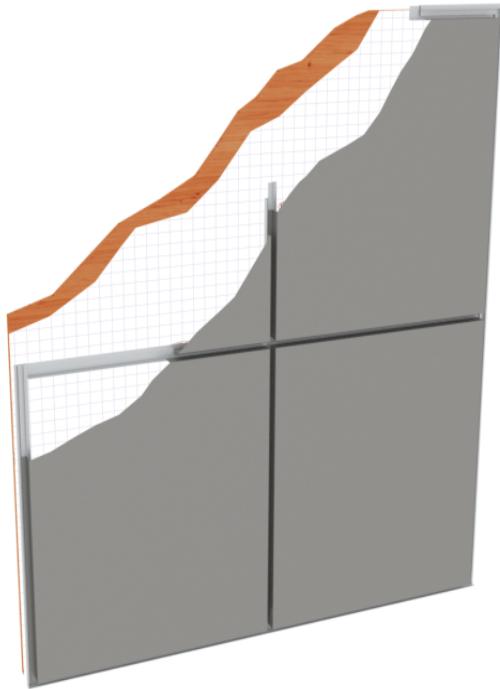


SERIES 80 DRAINED & BACK VENTILATED RAINSCREEN



**METAL
DESIGN
SYSTEMS**

DESIGNED FOR
A PERFECT FIT.



THE SERIES 80 is a cost conscious, monolithic metal wall panel system. It is field adaptable with sheet metal style closures and termination details. The Series 80 system is an economical and user friendly alternative to other wall panel systems. This system offers rectangular modules and bold reveal joint aesthetics.

SERIES 80 System Features

System	Drained & Back Ventilated Rainscreen
Joint Type/Size	Dry Joint - No Caulk
Progressive System	Progressive Installation
Weather Barrier	Self Adhered or Fluid Applied
Sheathing Over Studs	3/4" Plywood Preferred
Curved Surfaces	Hard
Independently Tested	ASTM E283, E331, E330 & AAMA 501
Maintenance Free	Yes
Price	Economical
Weather Sealed System	No
Ease of Installation	Easy

SERIES 80 DRAINED & BACK VENTILATED RAINSCREEN

Face Material:

Aluminum Sheet
 * Steel, Stainless Steel, Zinc, Zalmag &
 other metals available

Thickness:

.080" Standard
 .090" Special Order
 .125" Special Order

Finish:

Paint
 Anodize
 Natural
 Others

System Depth:

2" minimum, 2 1/4" design

Performance Testing:

ASTM E 283 - Static Air Infiltration
 ASTM E 331 - Static Water Infiltration
 ASTM E 330 - Structural Design Loads (40psf)
 AAMA 501 - Dynamic Water Infiltration

Joint Width:

1/2" Standard
 * Contact your sales rep for additional information

Recommended Panel Module Sizes:

Any Combination of Width & Length

Width	Length
45"	117"
27"	93"
21"	57"
17"	45"
13"	37"
	29"
	21"

Fabricated Panel Tolerance:

Width: 0.08"
 Length: 0.08"
 Pan Depth: 0.04"
 Square: 0.2"
 Bow: Max. 0.57% of length and/or width

Panel Extrusions:

Aluminum Alloy: 6063-T6
 Panel Perimeter Extrusion: Continuous

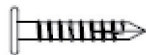
Maximum Panel Size:

45" x 117"

Note: Certain combinations of material, thickness, sizes and/or colors may not be available or be different than what is represented here.

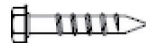
SERIES 80 Recommended Fasteners

300 Series SS
 T-17 12-11 x 1-1/4"
 Pancake Head



For attaching extrusions to wood substrate when a low profile head is required. 1" penetration into wood required.

300 Series SS
 #12 Wood Screw
 Hex Washer Head



For attaching extrusions or attachment clips to wood surfaces. Must be long enough to penetrate 1" into wood.

Bi Metal #12 Self Drilling
 With Corrosion Resistant
 Coating



For attaching extrusions to aluminum or steel surfaces. Must be long enough to penetrate with at least 3 threads visible from back side of attachment.

Stainless Steel
 1/4" Tapcon



Use for attachment of clips and extrusion to masonry surfaces. Minimum 2" from any edge to avoid structural spalling.



4150 C Street SW | Cedar Rapids, IA | 52404

319-362-7454 | Toll Free 866-442-6803 | Fax 319-362-7456